

PulseCooling™ Controllers - 5 Zone Cooling - Valve Kart

LOW TEMPERATURE MOLDING
When Melt Provides the Start Up Heat

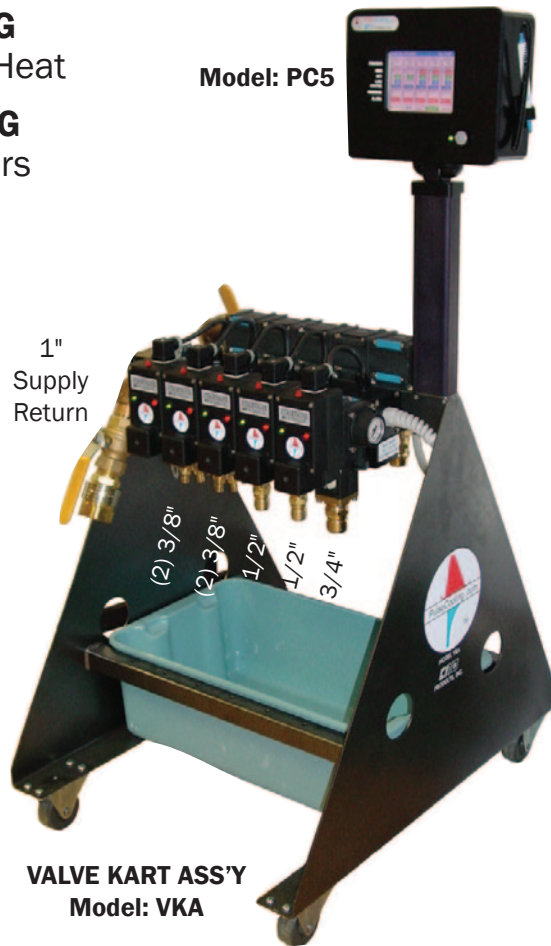
HIGH TEMPERATURE MOLDING
Design Mold with Electric Heaters

- Precision Molding
- High Volume Molding
- Hot Runner Control
- Family Molds

Shown with 1" Supply / Return
2(3/8") to and from Mold Connection
2(3/8") to and from Mold Connection
1/2" to and from Mold Connection
1/2" to and from Mold Connection
3/4" to and from Mold Connection

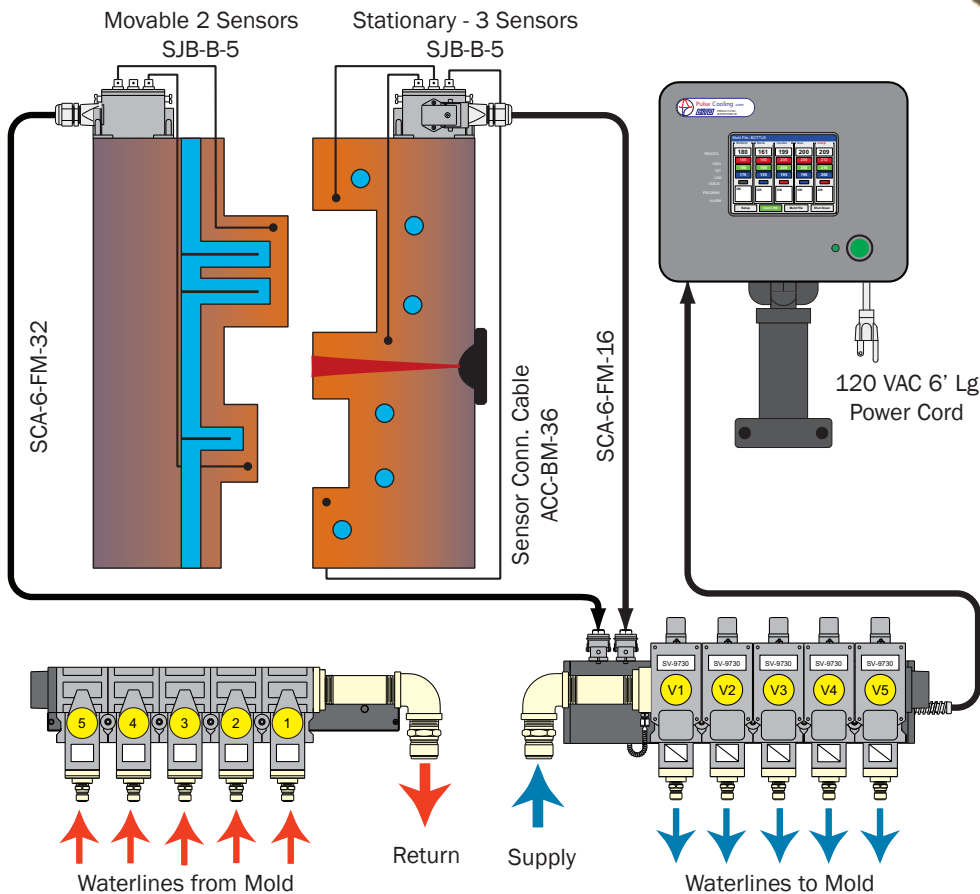
For other Combination - Specify

Model: PC5



VALVE KART ASS'Y
MODEL: PC5-VKA
\$7,890.00

VALVE KART ASS'Y
Model: VKA



Available with 10 Zones
Used with Model PCX Controller

MODEL CODE	
PC5	- VKA - XXX
SERIAL #	
VKA = VALVE KART ASS'Y	
PulseCooling™ 5 ZONES	

CITO-FP-PRICE-22-0627