

MiniFlow™ Products - 1 = 1/16"

MF - 0 4 0 4 - N - X

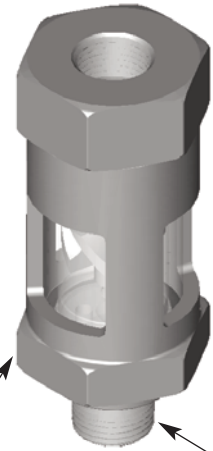
MiniFlow

04 = 1/4" IN
06 = 3/8" IN

04 = 1/4" OUT
06 = 3/8" OUT

Flow Direction
S - Standard Flow Direction
(Male Fitting - "IN")
R - Revers Flow

N = National Pipe Taper (USA)
P = Parallel Pipe
T = Tapered Pipe



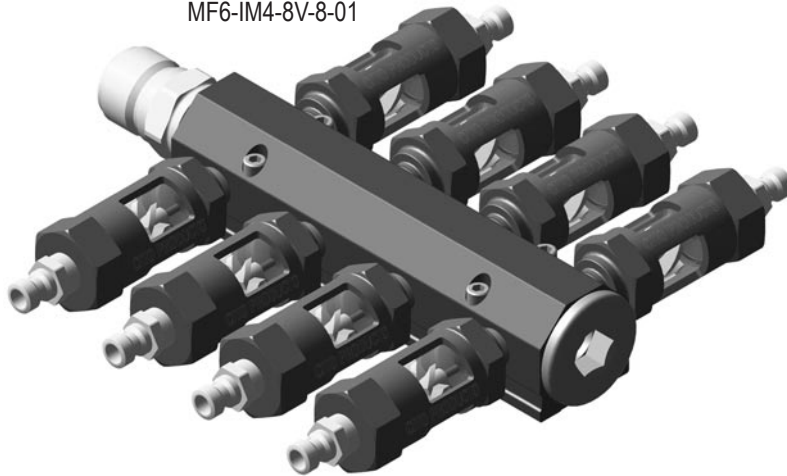
BSPT - 1 Notch
BSPP - 2 Notches

MiniFlow™\$125.00

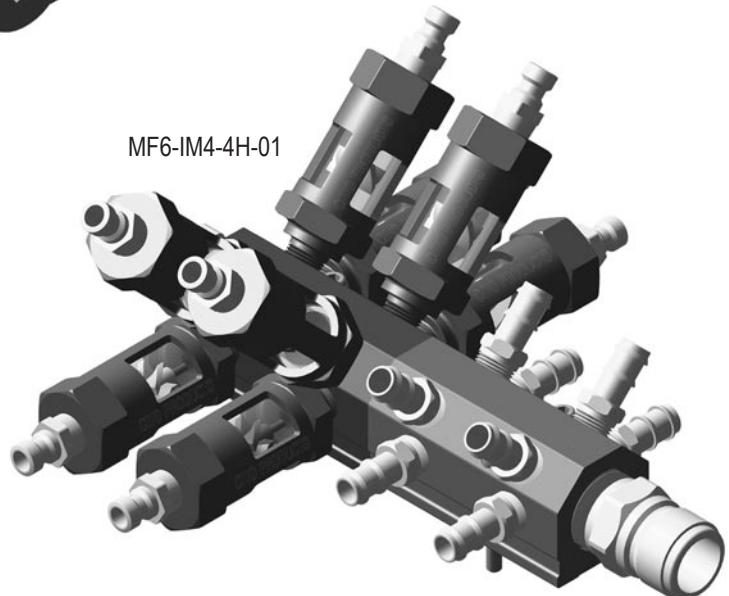
MiniFlow™ Flat Mounted

1" IN (8) 3/8" OUT

MF6-IM4-8V-8-01



MF6-IM4-4H-01



Any Combination for your application

CITO-FP-PRICE-23-1109