

Flow Kit Accessories For *ThermoFlow*™ Analyzer

AC Converter 120-240/9 - Volt for line power conversion

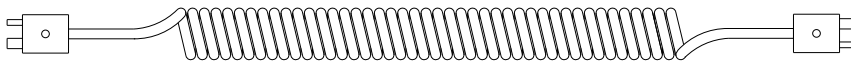


FK-FCA-8120 72" long 120-240 V AC \$ 16.40

Output Cable - for analog output to chart recorder or PLC



FK-AUC-96 96" Length \$ 30.45



Coiled TC Cable - for water line temperature measurements

- 36" Long cord (extended)
- Type K

FK-CCA-36 \$ 53.30



Melt Temperature Sensor - for melt temperature measurements up to 999° F


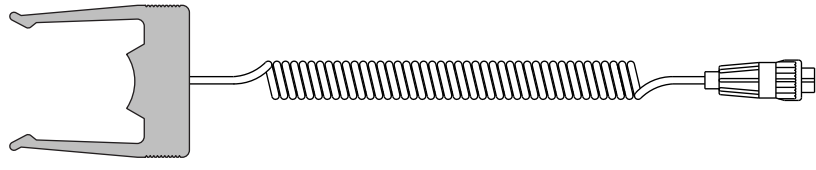

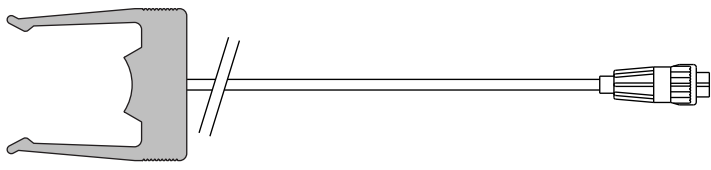
- 4" Probe
- 36" Cable

FK-MTSA-4-36-K \$ 114.40


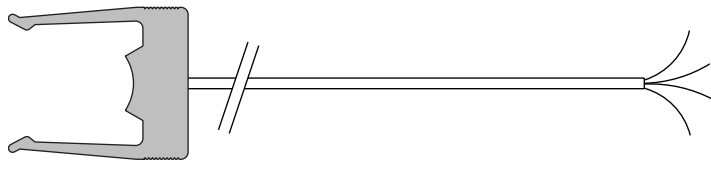

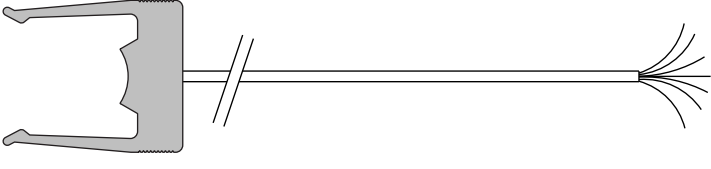


CITO-FP-PRICE-22-0721

Flow Sensors For *FlowReadout™* and *ThermoFlow™* Analyzer




	<div style="text-align: center;">  </div> <p>Coiled Flow Sensor - up to 36" FSA-I-C36-M6 36" Long Expandable Cable with 6 Pin Connector \$ 158.00</p>									
	<div style="text-align: center;">  </div> <p>Flow Sensor - with Cable</p> <table style="width: 100%; border: none;"> <tr> <td style="width: 40%;">FSA-I-06-M6</td> <td style="width: 50%;">6" cable with 6 Pin Connector</td> <td style="width: 10%; text-align: right;">\$ 124.00</td> </tr> <tr> <td>FSA-I-48-M6</td> <td>48" cable with 6 Pin Connector</td> <td style="text-align: right;">\$ 132.00</td> </tr> <tr> <td>FSA-I-120-M6</td> <td>120" cable with 6 Pin Connector</td> <td style="text-align: right;">\$ 148.00</td> </tr> </table>	FSA-I-06-M6	6" cable with 6 Pin Connector	\$ 124.00	FSA-I-48-M6	48" cable with 6 Pin Connector	\$ 132.00	FSA-I-120-M6	120" cable with 6 Pin Connector	\$ 148.00
FSA-I-06-M6	6" cable with 6 Pin Connector	\$ 124.00								
FSA-I-48-M6	48" cable with 6 Pin Connector	\$ 132.00								
FSA-I-120-M6	120" cable with 6 Pin Connector	\$ 148.00								

Flow Sensors For PLC and Monitoring Equipment



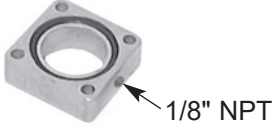
	<div style="text-align: center;">  </div> <p>Flow Sensor - F F - 16-24 Volt DC Input - Frequency out</p> <table style="width: 100%; border: none;"> <tr> <td style="width: 40%;">FSF-I-120</td> <td style="width: 50%;">120" cable</td> <td style="width: 10%; text-align: right;">\$ 122.00</td> </tr> </table>	FSF-I-120	120" cable	\$ 122.00
FSF-I-120	120" cable	\$ 122.00		
	<div style="text-align: center;">  </div> <p>Flow Sensor Converter F / V / I 16-24 Volt DC Input - Frequency out 4-20 ma current out 0-10 Volt output</p> <table style="width: 100%; border: none;"> <tr> <td style="width: 40%;">FSC-I-120</td> <td style="width: 50%;">120" cable</td> <td style="width: 10%; text-align: right;">\$ 252.00</td> </tr> </table>	FSC-I-120	120" cable	\$ 252.00
FSC-I-120	120" cable	\$ 252.00		

CITO-FP-PRICE-22-0822

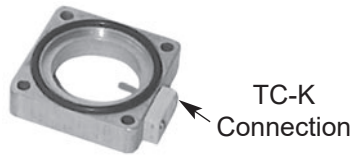
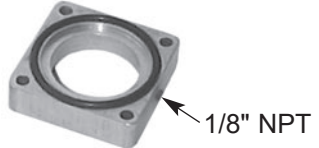
Flow Kit Adapters

<p>Pressure Gauge - Back with Quick Coupling</p> <table style="width: 100%; border-collapse: collapse;"> <tr> <td style="width: 15%;">PGB-60</td> <td style="width: 45%;">0-60 PSI</td> <td style="width: 40%; text-align: right;">\$ 49.00</td> </tr> <tr> <td>PGB-100</td> <td>0-100 PSI</td> <td style="text-align: right;">\$ 49.00</td> </tr> <tr> <td>PGB-160</td> <td>0-160 PSI</td> <td style="text-align: right;">\$ 49.00</td> </tr> </table>	PGB-60	0-60 PSI	\$ 49.00	PGB-100	0-100 PSI	\$ 49.00	PGB-160	0-160 PSI	\$ 49.00				
PGB-60	0-60 PSI	\$ 49.00											
PGB-100	0-100 PSI	\$ 49.00											
PGB-160	0-160 PSI	\$ 49.00											
<p>Pressure Gauge - Side with Quick Coupling</p> <table style="width: 100%; border-collapse: collapse;"> <tr> <td style="width: 15%;">PGS-60</td> <td style="width: 45%;">0-60 PSI</td> <td style="width: 40%; text-align: right;">\$ 49.00</td> </tr> <tr> <td>PGS-100</td> <td>0-100 PSI</td> <td style="text-align: right;">\$ 49.00</td> </tr> <tr> <td>PGS-160</td> <td>0-160 PSI</td> <td style="text-align: right;">\$ 49.00</td> </tr> </table>	PGS-60	0-60 PSI	\$ 49.00	PGS-100	0-100 PSI	\$ 49.00	PGS-160	0-160 PSI	\$ 49.00				
PGS-60	0-60 PSI	\$ 49.00											
PGS-100	0-100 PSI	\$ 49.00											
PGS-160	0-160 PSI	\$ 49.00											
<p>Pressure Gauge Adapter- "C" Series Quick Connect</p> <table style="width: 100%; border-collapse: collapse;"> <tr> <td style="width: 15%;">QA-06-04</td> <td style="width: 45%;">3/8" M - 1/4" F</td> <td style="width: 40%; text-align: right;">\$ 8.30</td> </tr> <tr> <td>QA-04-06</td> <td>1/4" M - 3/8" F</td> <td style="text-align: right;">\$ 9.75</td> </tr> <tr> <td>QA-06-08</td> <td>3/8" M - 1/2" F</td> <td style="text-align: right;">\$14.95</td> </tr> <tr> <td>QA-08-06</td> <td>1/2" M - 3/8" F</td> <td style="text-align: right;">\$16.25</td> </tr> </table>	QA-06-04	3/8" M - 1/4" F	\$ 8.30	QA-04-06	1/4" M - 3/8" F	\$ 9.75	QA-06-08	3/8" M - 1/2" F	\$14.95	QA-08-06	1/2" M - 3/8" F	\$16.25	
QA-06-04	3/8" M - 1/4" F	\$ 8.30											
QA-04-06	1/4" M - 3/8" F	\$ 9.75											
QA-06-08	3/8" M - 1/2" F	\$14.95											
QA-08-06	1/2" M - 3/8" F	\$16.25											

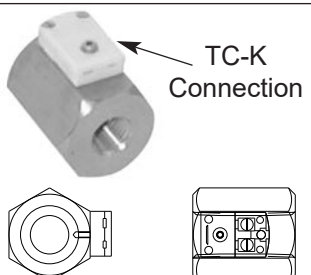
RotoFlow™ Additions

<p>Flow Screen Insert - 30 mesh screen (for RotoFlow™) Use with (4) 1/4-20 x 2.580" SHCS Note: combined screen length 3.320"</p> <table style="width: 100%; border-collapse: collapse;"> <tr> <td style="width: 15%;">RF-2420</td> <td style="width: 45%;">Coarse</td> <td style="width: 40%; text-align: right;">\$ 46.00</td> </tr> <tr> <td>RF-2430</td> <td>Medium</td> <td style="text-align: right;">\$ 46.00</td> </tr> <tr> <td>RF-2440</td> <td>Fine</td> <td style="text-align: right;">\$ 46.00</td> </tr> </table>	RF-2420	Coarse	\$ 46.00	RF-2430	Medium	\$ 46.00	RF-2440	Fine	\$ 46.00	
RF-2420	Coarse	\$ 46.00								
RF-2430	Medium	\$ 46.00								
RF-2440	Fine	\$ 46.00								
<p>Flow Temperature Insert TC "K" (for RotoFlow™ StackFlow™) Use with (4) 1/4-20 x 3.0" SHCS</p> <table style="width: 100%; border-collapse: collapse;"> <tr> <td style="width: 15%;">ET-2000-TCK</td> <td style="width: 45%;"></td> <td style="width: 40%; text-align: right;">\$ 59.00</td> </tr> </table> <p>NOTE: WHEN USING SCREEN AND TEMP INSERT = USE 1/4-20 x 3.25" SHCS THERMO COUPLE "K" CONNECTOR</p>	ET-2000-TCK		\$ 59.00							
ET-2000-TCK		\$ 59.00								
<p>Flow Temperature Insert - For 1/8" NPT (for RotoFlow™ StackFlow™) Use with (4) 1/4-20 x 3" SHCS</p> <table style="width: 100%; border-collapse: collapse;"> <tr> <td style="width: 15%;">ET-2125</td> <td style="width: 45%;"></td> <td style="width: 40%; text-align: right;">\$ 42.00</td> </tr> </table> <p>THERMO COUPLE "K" CONNECTOR</p>	ET-2125		\$ 42.00							
ET-2125		\$ 42.00								

StackFlow™ Additions

<p>Flow Temperature Insert TC "K" (Screen end) Use with (4) 1/4-20 x 1-3/4" SHCS</p> <table style="width: 100%; border-collapse: collapse;"> <tr> <td style="width: 15%;">ET-3000-TCK</td> <td style="width: 45%;"></td> <td style="width: 40%; text-align: right;">\$ 59.00</td> </tr> </table>	ET-3000-TCK		\$ 59.00	
ET-3000-TCK		\$ 59.00		
<p>Flow Temperature Adapter 1/8" NPT (for temperature sensor) Use with (4) 1/4-20 x 1-3/4" SHCS</p> <table style="width: 100%; border-collapse: collapse;"> <tr> <td style="width: 15%;">ET-3125</td> <td style="width: 45%;"></td> <td style="width: 40%; text-align: right;">\$ 48.00</td> </tr> </table>	ET-3125		\$ 48.00	
ET-3125		\$ 48.00		

Flow/Temperature Adapter Assembly

Type "K" Thermocouple - Miniature Type connector																
<p>Female / Female Temperature Coupling</p> <table style="width: 100%; border-collapse: collapse;"> <tr> <td style="width: 15%;">FT-2002-TCK</td> <td style="width: 45%;">1/4"</td> <td style="width: 40%; text-align: right;">\$ 46.15</td> </tr> <tr> <td>FT-2003-TCK</td> <td>3/8"</td> <td style="text-align: right;">\$ 46.15</td> </tr> <tr> <td>FT-2004-TCK</td> <td>1/2"</td> <td style="text-align: right;">\$ 46.15</td> </tr> <tr> <td>FT-2006-TCK</td> <td>3/4"</td> <td style="text-align: right;">\$ 47.50</td> </tr> <tr> <td>FT-2008-TCK</td> <td>1"</td> <td style="text-align: right;">\$ 49.40</td> </tr> </table> <p><i>For Additional Ports - Contact Factory</i></p>	FT-2002-TCK	1/4"	\$ 46.15	FT-2003-TCK	3/8"	\$ 46.15	FT-2004-TCK	1/2"	\$ 46.15	FT-2006-TCK	3/4"	\$ 47.50	FT-2008-TCK	1"	\$ 49.40	
FT-2002-TCK	1/4"	\$ 46.15														
FT-2003-TCK	3/8"	\$ 46.15														
FT-2004-TCK	1/2"	\$ 46.15														
FT-2006-TCK	3/4"	\$ 47.50														
FT-2008-TCK	1"	\$ 49.40														

CITO-FP-PRICE-22-0823