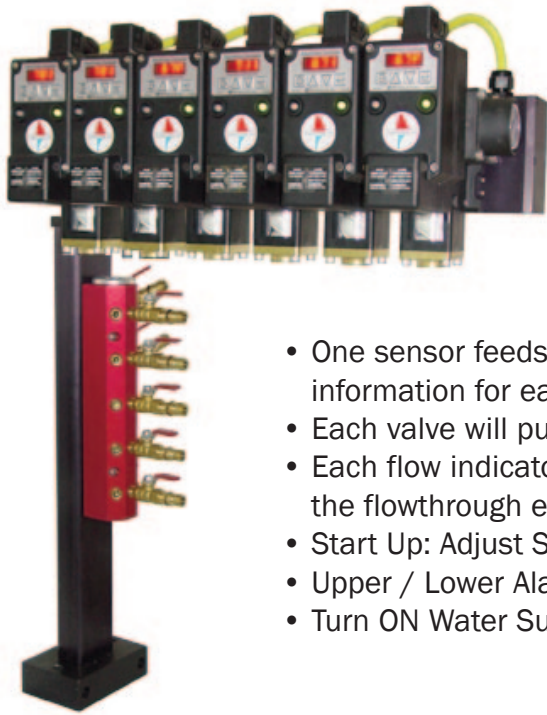


PulseCooling™ Controllers - Post Mount

SPC - StackPulse Controller - 6 Zone



- One sensor feeds the temperature information for each cycle
- Each valve will pulse cool independently
- Each flow indicator turbine will show the flowthrough each circuit
- Start Up: Adjust Set Point
- Upper / Lower Alarm
- Turn ON Water Supply/ Return

Up to 6 Zones Cooling

Temperature range: 32°F to 200°F (0°C - 100°C)

Voltage: 120 VAC / 240 VAC or 24 Volts AC/DC

MODEL CODE

SPC - PMA - 6 0 0 X

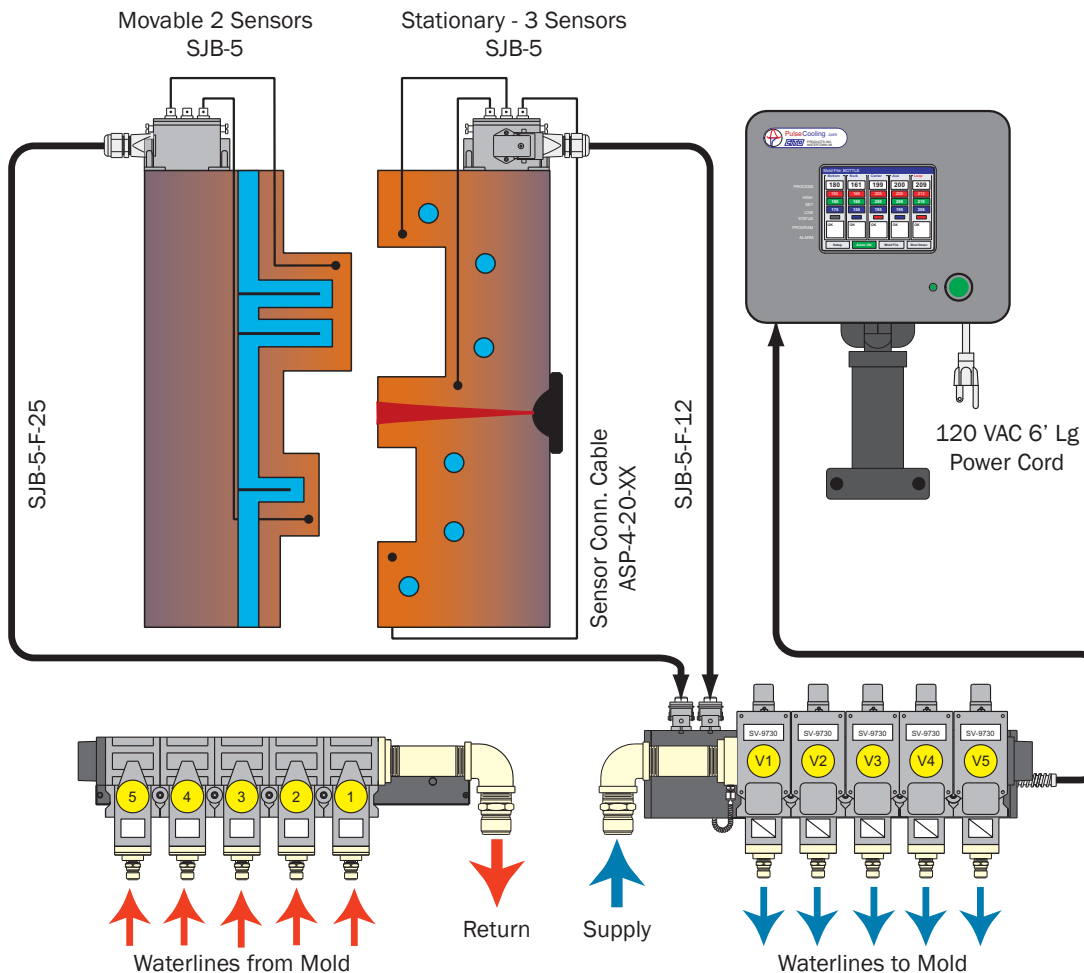
SERIAL #

ZONE

POST MOUNT A'SSY

STACK PULSE CONTROLLER

	Part No.	Price
1 Zone	PC5-PMA-100X . . .	\$ 500.00
2 Zones	PC5-PMA-200X . . .	\$ 600.00
3 Zones	PC5-PMA-300X . . .	\$ 700.00
4 Zones	PC5-PMA-400X . . .	\$ 800.00
5 Zones	PC5-PMA-500X . . .	\$ 900.00
6 Zones	PC5-PMA-600X . . .	\$1000.00



PC-PRICE-24-1121