

StackFlow™ Modular Hand Valves

THE STACK-MODULES PROVIDE A MYRIAD OF APPLICATION COMBINATIONS.

All Valves have interchangeable Input End Ports from 1/2" to 1-1/2" NPT/BSPP/BSPT

Output Ports range from 1/8" to 1-1/4" and Multi-Port combination including Micro and Check Valves.

Pressure rating: 100 PSI - Temperature rating: 20°F - 160°F

Each Supply Module has an Internal Screen and the optional Pressure and - or - Temperature End Cap.

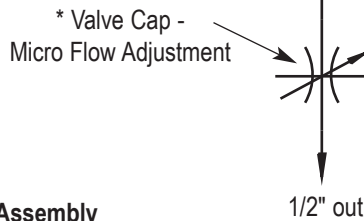
StackPort™

MODULE - SPA

Provides access to uninterrupted flow out-port



"In" End Caps
1/2" through 1-1/2"



Pressure Gauge
*(0 to 100 PSI) EP-100
(0 to 160 PSI) EP-160
Temperature Gauge
(32° to 220° F) ET-200
End/Partition Plate

StackPort Assembly
In - 3/4"
Out - 1/2" Valve Cap
End - Pressure Gauge

SPA-1000\$170.00

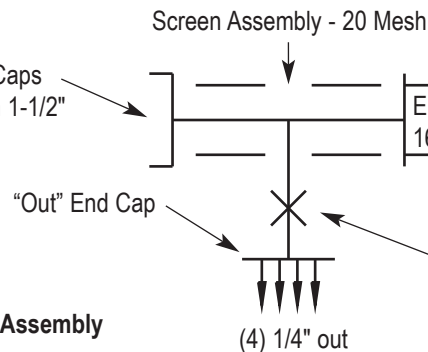
StackShort™

MODULE - SSA

Provides manual restriction to the out-port



"In" End Caps
1/2" through 1-1/2"



Pressure Gauge
(0 to 100 PSI) EP-100
*(0 to 160 PSI) EP-160
Temperature Gauge
(32° to 220° F) ET-200
End/Partition Plate

StackShort Assembly
In - 3/4"
Out - (4) 1/4"
Front - Temperature Gauge

SSA-1000\$120.00

StackFlow™

MODULE - SFA

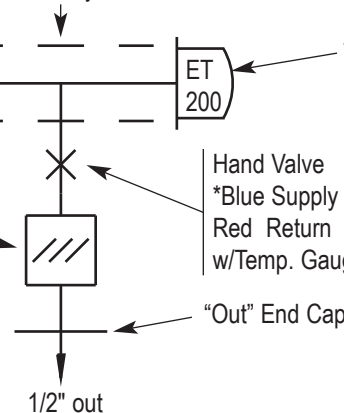
The Stack-Flow has a manual shut off valve and a flow indicating turbine



"In" End Caps
1/2" through 1-1/2"

Turbine Indicator:
Window only (no turbine)
*3 Blade High
3 Blade Low
6 Blade Low

Screen Assembly - 30 Mesh



Pressure Gauge
(0 to 100 PSI) EP-100
(0 to 160 PSI) EP-160
Temperature Gauge
*(32° to 220° F) ET-200
End/Partition Plate

StackFlow Assembly
In - 1"
Out - 1/2"
End - Temperature Gauge
Flow Indicating Turbine

SFA-1000\$180.00