

StackValve™ Modular Electric Valve

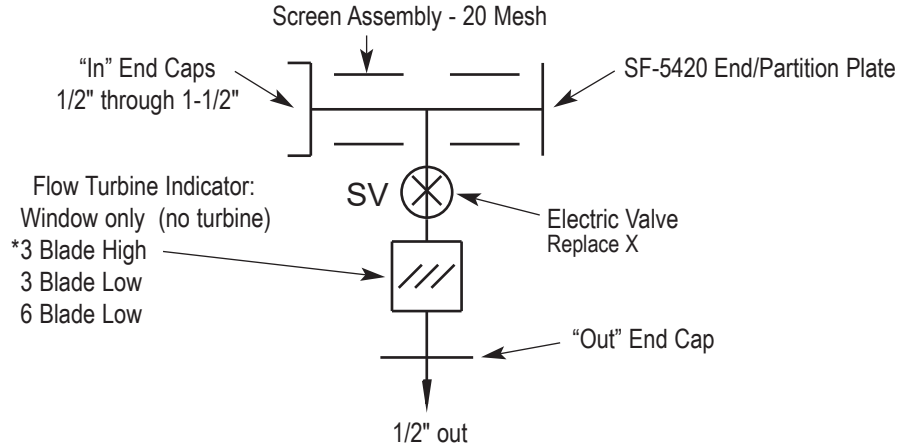
StackValve™

MODULE - SVA



Rotary Flow Turbine
for Indication
OR
Clip-on Digital
Flow Meter

Provides a NORMALLY CLOSED Pressure Differential Valve that is Electrically operated. The Diaphragm is closed via a self cleaning Orifice. L E D Indicator lights will provide the Valve status Each Module has a Visual Flow Turbine that may be used with a Digital Flow Read out Available with a Purge Button that activates the Valve. Power Connection: 4 Pin Xall - 4 Pin DIN - 4 Pin Micro and 4 Pin Mini Water Proof Connector Supply Volt - 24 V ACDC - 120 V AC - 240 V AC @ < 10 Watt



StackValve Assembly
In - 1"
Out - 1/2"
Flow Indicating Turbine

SVA-1000 \$330.00

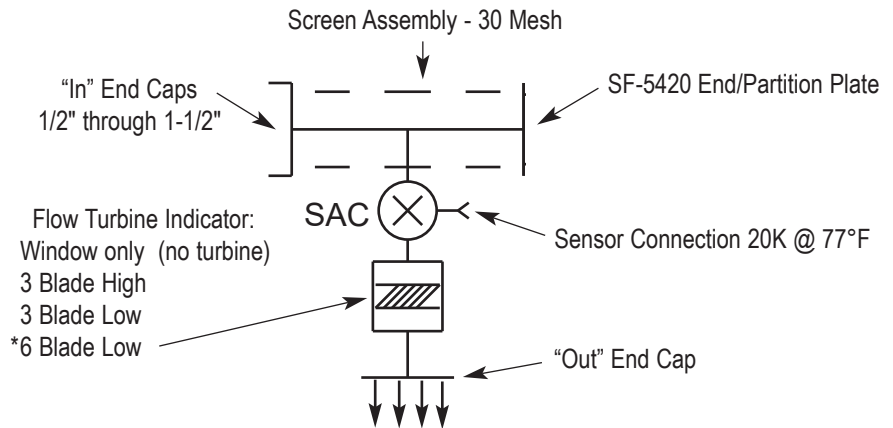
StackController™ Modular Analog Temperature Controller

StackAnalogController™MODULE - SAC



Rotary Flow Turbine
for Indication
OR
Clip-on Digital
Flow Meter

Provides a NORMALLY CLOSED Pressure Differential Valve that is Electrically operated. The Diaphragm is closed via a self cleaning Orifice. L E D Indicator lights will provide the Valve status Each Module has a Visual Flow Turbine that may be used with a Digital Flow Read out The Analog Dial is located below the splash proof Cover. A broad selection of Sensors are available for temperature control. Power Connection: 4 Pin Connexall - 4 Pin DIN - 4 Pin Micro and 4 Pin Mini Water Proof Connector Supply Volt - 24 V ACDC - 120 V AC - 240 V AC @ < 10 Watt



StackAnalog Controller
In - 1" in
Out - (4) 1/4" out
Flow Indicating Turbine
120V AC with End Plate

SAC-1000 \$ 400.00

PC-PRICE-24-1024