

Inline™ Manifolds Ordering Information

Mold Mounted Manifolds provide many benefits to the operation and performance of the water cooled process. Our manifolds offer a myriad of combinations to suit your needs.

STANDARD MANIFOLDS

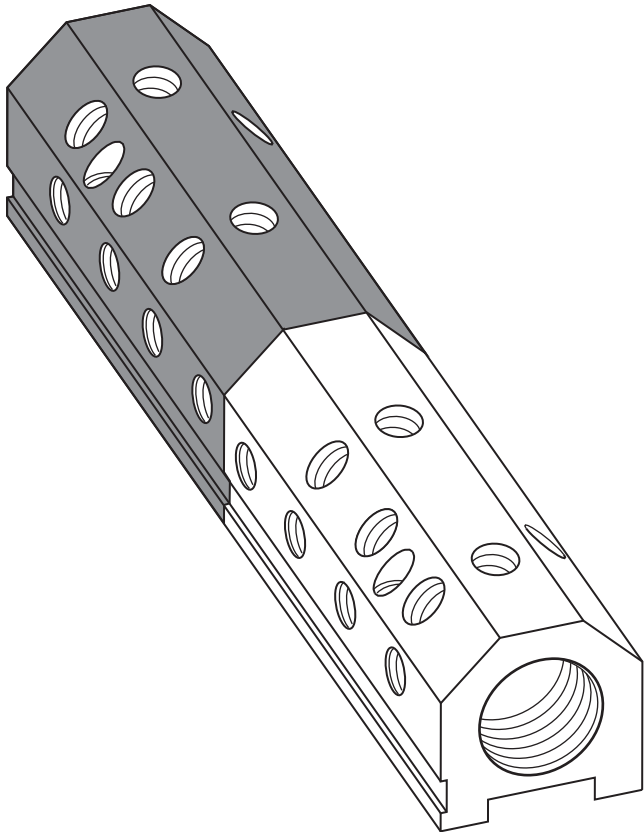
1. Choose your manifold from the following pages.
2. Stock Manifolds will ship same day or by the next business day.

WHEN ORDERING CUSTOM MANIFOLDS

1. Submit design or sketch.
2. Cito will make CAD drawing and submit via fax with price quote and delivery information.
3. Upon approval of drawing, the manifold will be shipped the following week.

TO ORDER YOUR DESIGN KIT FOR INLINE MANIFOLDS

Our Design Kit will assist in your mold or machine mounted design of Inline™ Manifolds — complete with CAD Patterns, and custom order forms.



Please contact our Sales Department
CITO PRODUCTS INC.

N8779 County Road X • P.O. Box 90

Watertown, WI 53094 • USA

Phone: (920) 261-2606

Fax: (920) 261-1350

E-mail: sales@pulsecooling.com

ATTENTION: SALES DEPARTMENT

Please specify which CAD system you are using when requesting your Design Kit.

The Design Kit is available in:

.PRT (CadKey)

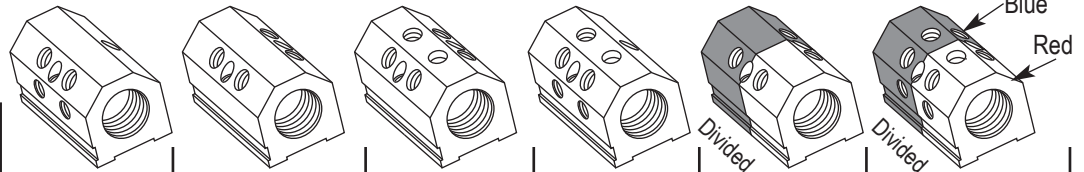
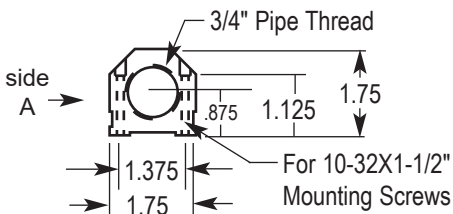
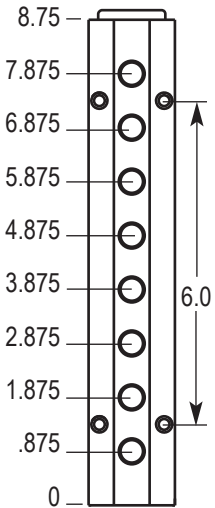
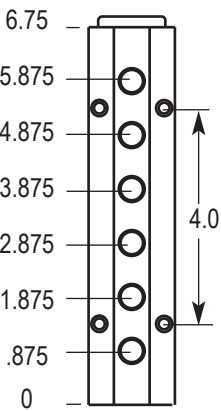
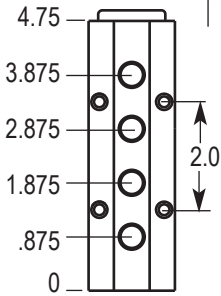
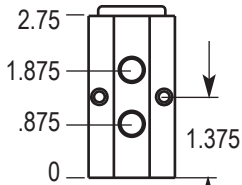
.DWG (AutoCad)

.DXF (Data Exchange Format)

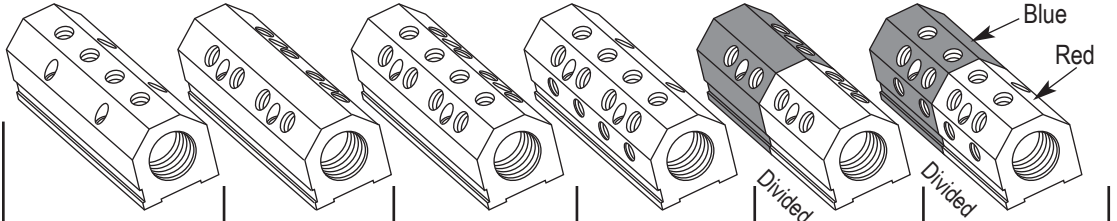
.IGES (International Graphic Exchange)

The anodized aluminum is not suitable for corrosive liquids (high chlorine content).
Brass, steel and stainless is available. Request quote.

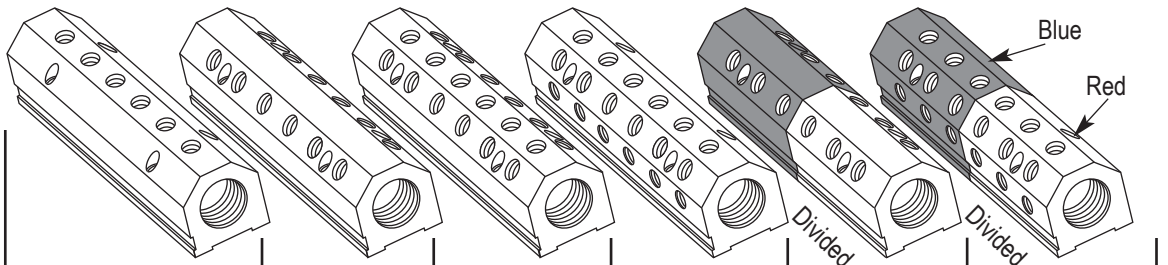
3/4" Inline™ Manifold (1 = 1/4")



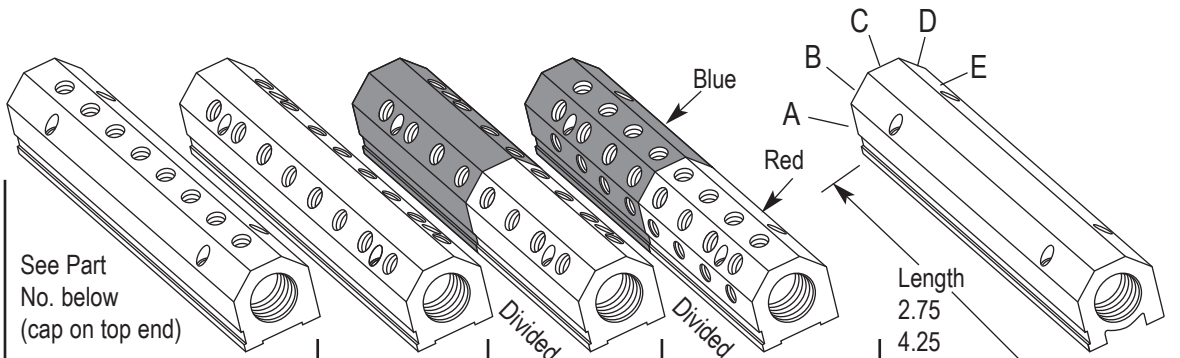
IM3-2-AB-4 1/8 or 1/4 \$72.00	IM3-2-BD-4 1/8 or 1/4 \$72.00	IM3-2-BCD-6 1/8 or 1/4 \$78.00	IM3-2-ABC-6 1/8 or 1/4 \$78.00	IM3-2-BD-2-2 1/8 or 1/4 \$83.00	IM3-2-ABCDE-5-5 1/8 \$101.00
-------------------------------------	-------------------------------------	--------------------------------------	--------------------------------------	---------------------------------------	------------------------------------



IM3-4-C-4 1/8 or 1/4 \$88.00	IM3-4-BD-8 1/8 or 1/4 \$100.00	IM3-4-BCD-12 1/8 or 1/4 \$112.00	IM3-4-ABC-12 1/8 or 1/4 \$112.00	IM3-4-BD-4-4 1/8 or 1/4 \$111.00	IM3-4-ABC-6-6 1/8 or 1/4 \$123.00
------------------------------------	--------------------------------------	--	--	--	---



IM3-6-C-6 1/8 or 1/4 \$110.00	IM3-6-BD-12 1/8 or 1/4 \$128.00	IM3-6-BCD-18 1/8 or 1/4 \$146.00	IM3-6-ABC-18 1/8 or 1/4 \$146.00	IM3-6-BD-6-6 1/8 or 1/4 \$139.00	IM3-6-ABC-9-9 1/8 or 1/4 \$157.00
-------------------------------------	---------------------------------------	--	--	--	---



See Part No. below (cap on top end)

IM3-8-C-8 1/8 or 1/4 \$132.00	IM3-8-BD-16 1/8 or 1/4 \$156.00	IM3-8-BD-8-8 1/8 or 1/4 \$167.00	IM3-8-ABC-12-12 1/8 \$191.00
-------------------------------------	---------------------------------------	--	------------------------------------

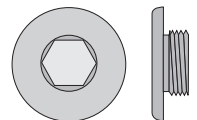
Length
2.75
4.25
6.75
or 8.75

PART NUMBER CODE:

IM3-8-C-8-1/4-N-R/B/D

Red, Blue or Divided
Thread Type: N = NPT
P = Mark BSPP
T = Mark BSPT
1/4" "Out"
8 Holes
Row on side "C"
8 = 8.750" Overall Length
(3) x 1/4" = 3/4" Port
Inline Manifold

3/4" NPT



For Solid Color Manifolds
PRICES INCLUDE: End Cap and Stainless mounting screws.
ADDITIONAL 3/4" MANIFOLD END CAPS: IM-3030 - \$12.00 ea.
CUSTOM MANIFOLDS QUOTED UPON REQUEST

The anodized aluminum is not suitable for corrosive liquids (high chlorine content)

1" Inline™ Manifold (1 = 1/4")

Technical drawings on the left show manifold heights and spacing. The first drawing shows a manifold with a height of 3.75 inches and a spacing of 1.875 inches between ports. The second drawing shows a manifold with a height of 6.25 inches and a spacing of 2.50 inches. The third drawing shows a manifold with a height of 8.75 inches and a spacing of 5.0 inches. The fourth drawing shows a manifold with a height of 11.25 inches and a spacing of 7.50 inches. A detailed view of the manifold end shows a 1" pipe thread, a 1.5 inch width, and a 2.0 inch height. It also indicates mounting screw locations for 1/4-20x2" screws.

IM4-4-AB-4 1/4 or 3/8 \$88.00	IM4-4-BD-4 1/4 or 3/8 \$88.00	IM4-4-BCD-6 1/4 or 3/8 \$94.00	IM4-4-ABC-6 1/4 or 3/8 \$94.00	IM4-4-BD-2-2 1/4 or 3/8 \$101.00	IM4-4-ABCDE-5-5 1/4 \$119.00
IM4-6-C-4 1/4 or 3/8 \$115.00	IM4-6-BD-8 1/4 or 3/8 \$127.00	IM4-6-BCD-12 1/4 or 3/8 \$139.00	IM4-6-ABC-12 1/4 or 3/8 \$139.00	IM4-6-BD-4-4 1/4 or 3/8 \$140.00	IM4-6-ABC-6-6 1/4 or 3/8 \$152.00
IM4-9-C-6 1/4 or 3/8 \$139.00	IM4-9-BD-12 1/4 or 3/8 \$157.00	IM4-9-BCD-18 1/4 or 3/8 \$175.00	IM4-9-ABC-18 1/4 or 3/8 \$175.00	IM4-9-BD-6-6 1/4 or 3/8 \$170.00	IM4-9-ABC-9-9 1/4 or 3/8 \$188.00
IM4-11-C-8 1/4 or 3/8 \$172.00	IM4-11-BD-16 1/4 or 3/8 \$196.00	IM4-11-BD-8-8 1/4 or 3/8 \$209.00	IM4-11-ABC-12-12 1/4 or 3/8 \$233.00		

See Part No. below (cap on top end)

Length: 3.75, 6.25, 8.75, or 11.25

Blue, Red, Divided

1" NPT

Red, Blue or Divided
Thread Type: N = NPT
P = Mark BSPP
T = Mark BSPT

For Solid Color Manifolds
PRICES INCLUDE: End Cap and Stainless mounting screws.
ADDITIONAL 1" MANIFOLD END CAPS: IM-3040 - \$14.00 ea.
CUSTOM MANIFOLDS QUOTED UPON REQUEST

PC-PRICE-25-0129

PART NUMBER CODE: IM4-11-C-8-3/8-N-R/B/D

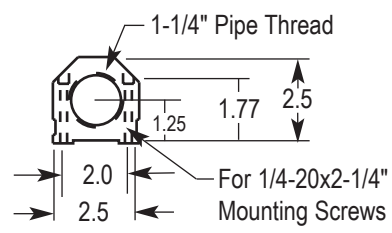
Red, Blue or Divided
Thread Type: N = NPT
P = Mark BSPP
T = Mark BSPT

3/8" "Out"
8 Holes
Row on side "C"
11 = 11.25" Overall Length
(4) x 1/4" = 1" Port
Inline Manifold

The anodized aluminum is not suitable for corrosive liquids (high chlorine content)

1-1/4" Inline™ Manifold (1 = 1/4")

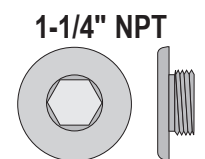
IM5-5-AB-4 1/4 or 3/8 \$110.00	IM5-5-BD-4 1/4 or 3/8 \$110.00	IM5-5-BCD-6 1/4 or 3/8 \$118.00	IM5-5-ABC-6 1/4 or 3/8 \$118.00	IM5-5-BD-2-2 1/4 or 3/8 \$123.00	IM5-5-ABCDE-5-5 1/4 or 3/8 \$147.00
IM5-8-C-4 1/4 or 3/8 \$140.00	IM5-8-BD-8 1/4 or 3/8 \$156.00	IM5-8-BCD-12 1/4 or 3/8 \$172.00	IM5-8-ABC-12 1/4 or 3/8 \$172.00	IM5-8-BD-4-4 1/4 or 3/8 \$169.00	IM5-8-ABC-6-6 1/4 or 3/8 \$185.00
IM5-11-C-6 1/4 or 3/8 \$178.00	IM5-11-BD-12 1/4 or 3/8 \$202.00	IM5-11-BCD-18 1/4 or 3/8 \$226.00	IM5-11-ABC-18 1/4 or 3/8 \$226.00	IM5-11-BD-6-6 1/4 or 3/8 \$215.00	IM5-11-ABC-9-9 1/4 or 3/8 \$239.00
IM5-14-C-8 1/4 or 3/8 \$216.00	IM5-14-BD-16 1/4 or 3/8 \$248.00	IM5-14-BD-8-8 1/4 or 3/8 \$261.00	IM5-14-ABC-12-12 1/4 or 3/8 \$293.00	See Part No. below (cap on top end)	



PART NUMBER CODE:
IM5-14-C-8-3/8-N-R/B/D

- Red, Blue or Divided
- Thread Type: N = NPT
- P = Mark BSPP
- T = Mark BSPT
- 3/8" "Out"
- 8 Holes
- Row on side "C"
- 14 = 13.5" Overall Length
- (5) x 1/4" = 1-1/4" Port

Inline Manifold



1-1/4" NPT

For Solid Color Manifolds
PRICES INCLUDE: End Cap and Stainless mounting screws.
ADDITIONAL 1-1/4" MANIFOLD END CAPS: IM-3050 - \$16.00 ea.
CUSTOM MANIFOLDS QUOTED UPON REQUEST

PC-PRICE-25-0129

The anodized aluminum is not suitable for corrosive liquids (high chlorine content)

1-1/2" Inline™ Manifold (1 = 1/4")

IM6-6-AB-4 3/8 or 1/2 \$120.00	IM6-6-BD-4 3/8 or 1/2 \$120.00	IM6-6-BCD-6 3/8 or 1/2 \$130.00	IM6-6-ABC-6 3/8 or 1/2 \$130.00	IM6-6-BD-2-2 3/8 or 1/2 \$138.00	IM6-6-ABCDE-5-5 3/8 or 1/2 \$168.00	
IM6-10-C-4 3/8 or 1/2 \$160.00	IM6-10-BD-8 3/8 or 1/2 \$180.00	IM6-10-BCD-12 3/8 or 1/2 \$200.00	IM6-10-ABC-12 3/8 or 1/2 \$200.00	IM6-10-BD-4-4 3/8 or 1/2 \$198.00	IM6-10-ABC-6-6 3/8 or 1/2 \$218.00	
IM6-14-C-6 3/8 or 1/2 \$224.00	IM6-14-BD-12 3/8 or 1/2 \$254.00	IM6-14-BCD-18 3/8 or 1/2 \$284.00	IM6-14-ABC-18 3/8 or 1/2 \$284.00	IM6-14-BD-6-6 3/8 or 1/2 \$272.00	IM6-14-ABC-9-9 3/8 or 1/2 \$302.00	
See Part No. below (cap on top end)	IM6-18-C-8 3/8 or 1/2 \$282.00	IM6-18-BD-16 3/8 or 1/2 \$322.00	IM6-18-BD-8-8 3/8 or 1/2 \$340.00	IM6-18-ABC-12-12 3/8 or 1/2 \$380.00		

PART NUMBER CODE:
IM6-18-C-8-3/8-N-R/B/D
 Red, Blue or Divided
 Thread Type: N = NPT
 P = Mark BSPP
 T = Mark BSPT
 3/8" "Out"
 8 Holes
 Row on side "C"
 18 = 18" Overall Length
 (6) x 1/4" = 1-1/2" Port
 Inline Manifold

1-1/2" NPT

 For Solid Color Manifolds
PRICES INCLUDE: End Cap and Stainless mounting screws.
ADDITIONAL 1-1/2" MANIFOLD END CAPS: IM-3060 - \$18.00 ea.
CUSTOM MANIFOLDS QUOTED UPON REQUEST

PC-PRICE-25-0129

The anodized aluminum is not suitable for corrosive liquids (high chlorine content)

2" Inline™ Manifold (1 = 1/4")

IM8-8-ACE-6
1/2, 3/4 or 1
\$176.00

IM8-8-ABCDE-10
1/2 or 3/4
\$200.00

IM8-12-C-4
1/2, 3/4 or 1
\$212.00

IM8-12-BD-8
1/2, 3/4 or 1
\$236.00

IM8-12-ABC-12
1/2 or 3/4
\$260.00

IM8-12-ABC-6-6
1/2 or 3/4
\$283.00

IM8-17-C-6
1/2, 3/4 or 1
\$285.00

IM8-17-BD-12
1/2, 3/4 or 1
\$321.00

IM8-17-ABC-18
1/2 or 3/4
\$357.00

IM8-17-BD-6-6
1/2, 3/4 or 1
\$344.00

IM8-17-ABC-9-9
1/2 or 3/4
\$380.00

IM8-22-C-8
1/2, 3/4 or 1
\$358.00

IM8-22-BD-16
1/2, 3/4 or 1
\$406.00

IM8-22-BD-8-8
1/2, 3/4 or 1
\$429.00

IM8-22-ABC-12-12
1/2 or 3/4
\$477.00

PART NUMBER CODE:
IM8-22-C-6-1/2-N-R / B / D

- Red, Blue or Divided
- Thread Type: N = NPT
- P = Mark BSPP
- T = Mark BSPT
- 1/2" "Out"
- 6 Holes
- Row on side "C"
- 22 = 22" Overall Length
- (8) x 1/4" = 2" Port

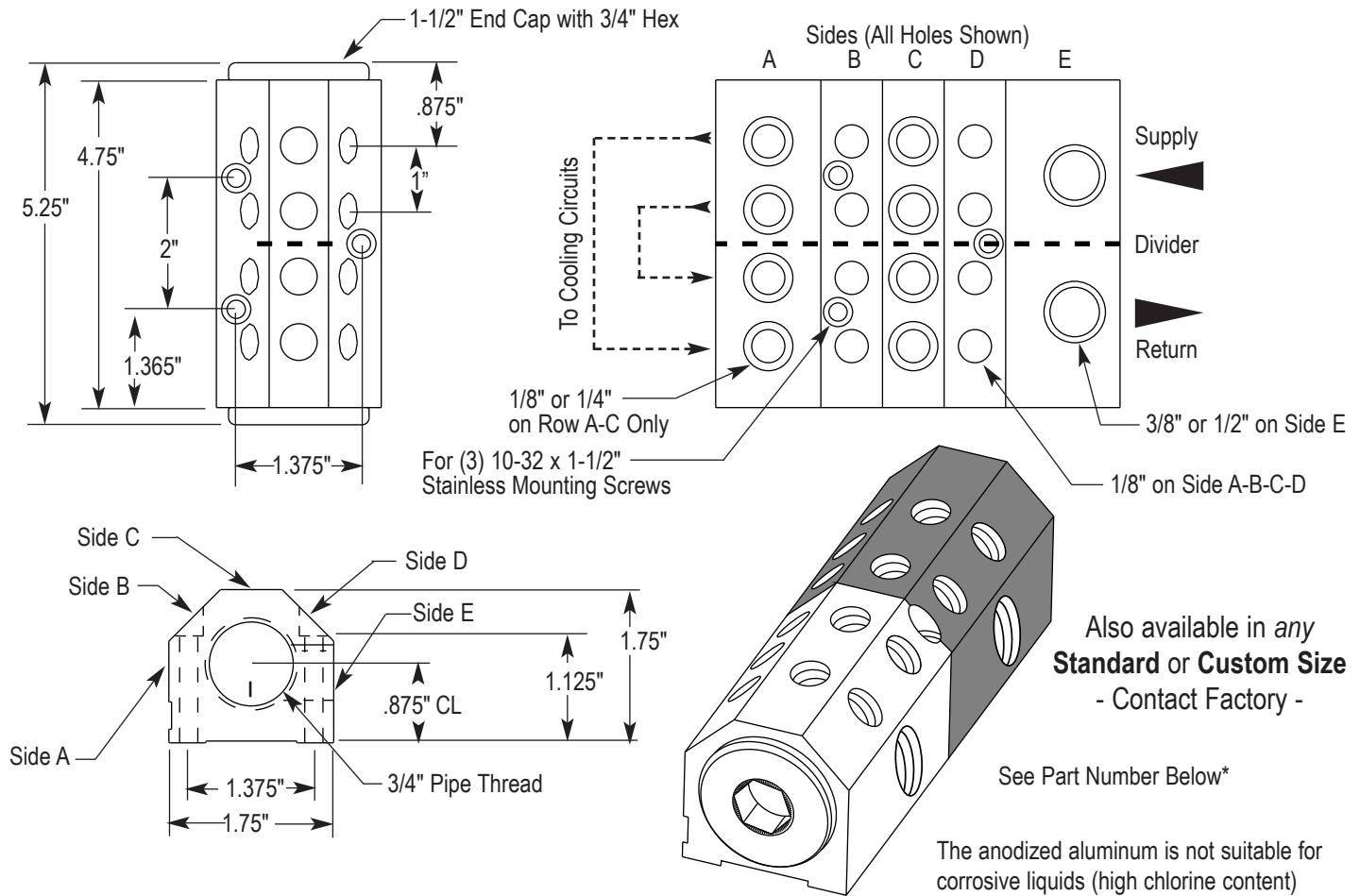
2" NPT

For Solid Color Manifolds
PRICES INCLUDE: End Cap and Stainless mounting screws.
ADDITIONAL 2" MANIFOLD END CAPS: IM-3080 - \$20.00 ea.
CUSTOM MANIFOLDS QUOTED UPON REQUEST

PC-PRICE-25-0129

The anodized aluminum is not suitable for corrosive liquids (high chlorine content)

3/4" x 5" Sideline™ Manifold (1 = 1/4")

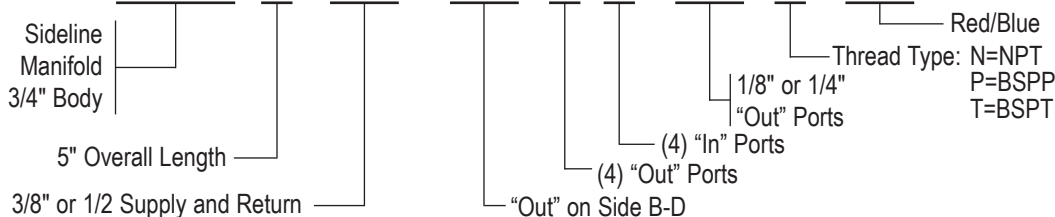


Outgoing Ports					Part Number	Price
Side A In/Out	Side B In/Out	Side C In/Out	Side D In/Out	Side E - Return In/Out		
	(2) (2) 1/8"-1/8"			3/8"-3/8"	IM3S-5-3/8-B-2-2-1/8-N-RB	\$133.00
(2) (2) 1/8"-1/8"	(2) (2) 1/8"-1/8"			3/8"-3/8"	IM3S-5-3/8-AB-4-4-1/8-N-RB	\$145.00
	(2) (2) 1/8"-1/8"		(2) (2) 1/8"-1/8"	3/8"-3/8"	*IM3S-5-3/8-BD-4-4-1/8-N-RB	\$145.00
	(2) (2) 1/8"-1/8"	(2) (2) 1/8"-1/8"	(2) (2) 1/8"-1/8"	3/8"-3/8"	IM3S-5-3/8-BCD-6-6-1/8-N-RB	\$157.00
(2) (2) 1/8"-1/8"	(2) (2) 1/8"-1/8"	(2) (2) 1/8"-1/8"	(2) (2) 1/8"-1/8"	3/8"-3/8"	IM3S-5-3/8-ABCD-8-8-1/8-N-RB	\$169.00
	(2) (2) 1/4"-1/4"			1/2"-1/2"	IM3S-5-1/2-B-2-2-1/4-N-RB	\$133.00
	(2) (2) 1/4"-1/4"		(2) (2) 1/4"-1/4"	1/2"-1/2"	IM3S-5-1/2-BD-4-4-1/4-N-RB	\$145.00

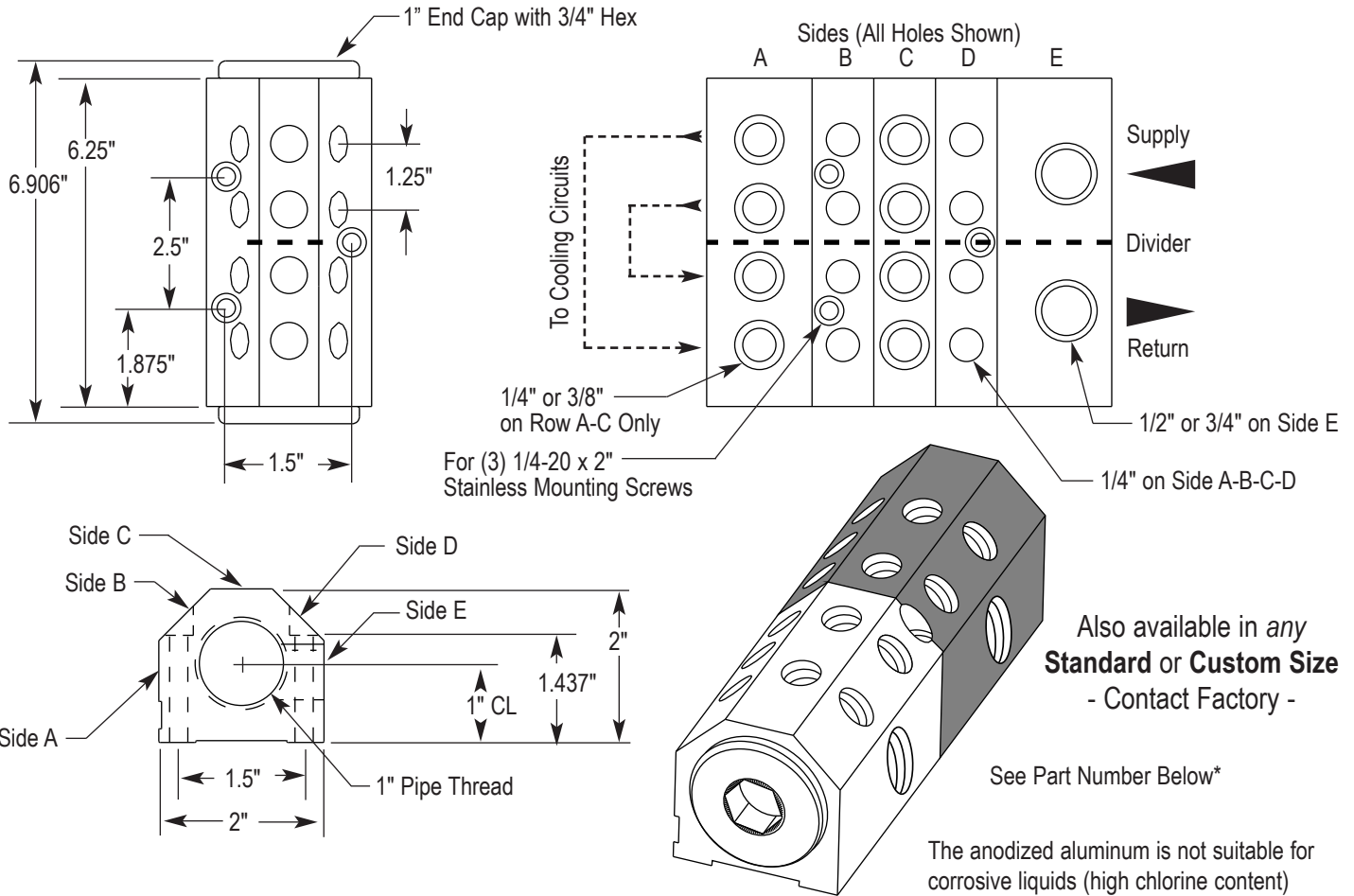
PRICE INCLUDES: End Caps and (3) 10-32 x 1-1/2" ST. ST. Mtg. Screws. ADDITIONAL 3/4" End Caps \$12.00 ea.

*Part Number Code:

IM3S-5-3/8-BD-4-4-1/8-N-RB



1" x 7" Sideline™ Manifold (1 = 1/4")

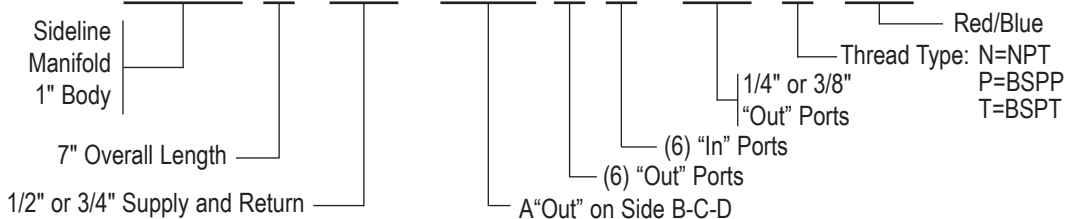


Outgoing Ports					Part Number	Price
Side A In/Out	Side B In/Out	Side C In/Out	Side D In/Out	Side E - Return In/Out		
	(2) (2) 1/4"-1/4"			1/2"-1/2"	IM4S-7-1/2-B-2-2-1/4-N-RB	\$166.00
(2) (2) 1/4"-1/4"	(2) (2) 1/4"-1/4"			1/2"-1/2"	IM4S-7-1/2-AB-4-4-1/4-N-RB	\$178.00
	(2) (2) 1/4"-1/4"		(2) (2) 1/4"-1/4"	1/2"-1/2"	IM4S-7-1/2-BD-4-4-1/4-N-RB	\$178.00
	(2) (2) 1/4"-1/4"	(2) (2) 1/4"-1/4"	(2) (2) 1/4"-1/4"	1/2"-1/2"	*IM4S-7-1/2-BCD-6-6-1/4-N-RB	\$190.00
(2) (2) 1/4"-1/4"	(2) (2) 1/4"-1/4"	(2) (2) 1/4"-1/4"	(2) (73) 1/4"-1/4"	1/2"-1/2"	IM4S-7-1/2-ABCD-8-8-1/4-N-RB	\$202.00
	(2) (2) 3/8"-3/8"			3/4"-3/4"	IM4S-7-3/4-B-2-2-3/8-N-RB	\$166.00
	(2) (2) 3/8"-3/8"		(2) (2) 3/8"-3/8"	3/4"-3/4"	IM4S-7-3/4-BD-4-4-3/8-N-RB	\$178.00

PRICE INCLUDES: End Caps and (3) 1/4-20x2" ST. ST. Mtg. Screws. ADDITIONAL 1" End Caps \$14.00 ea.

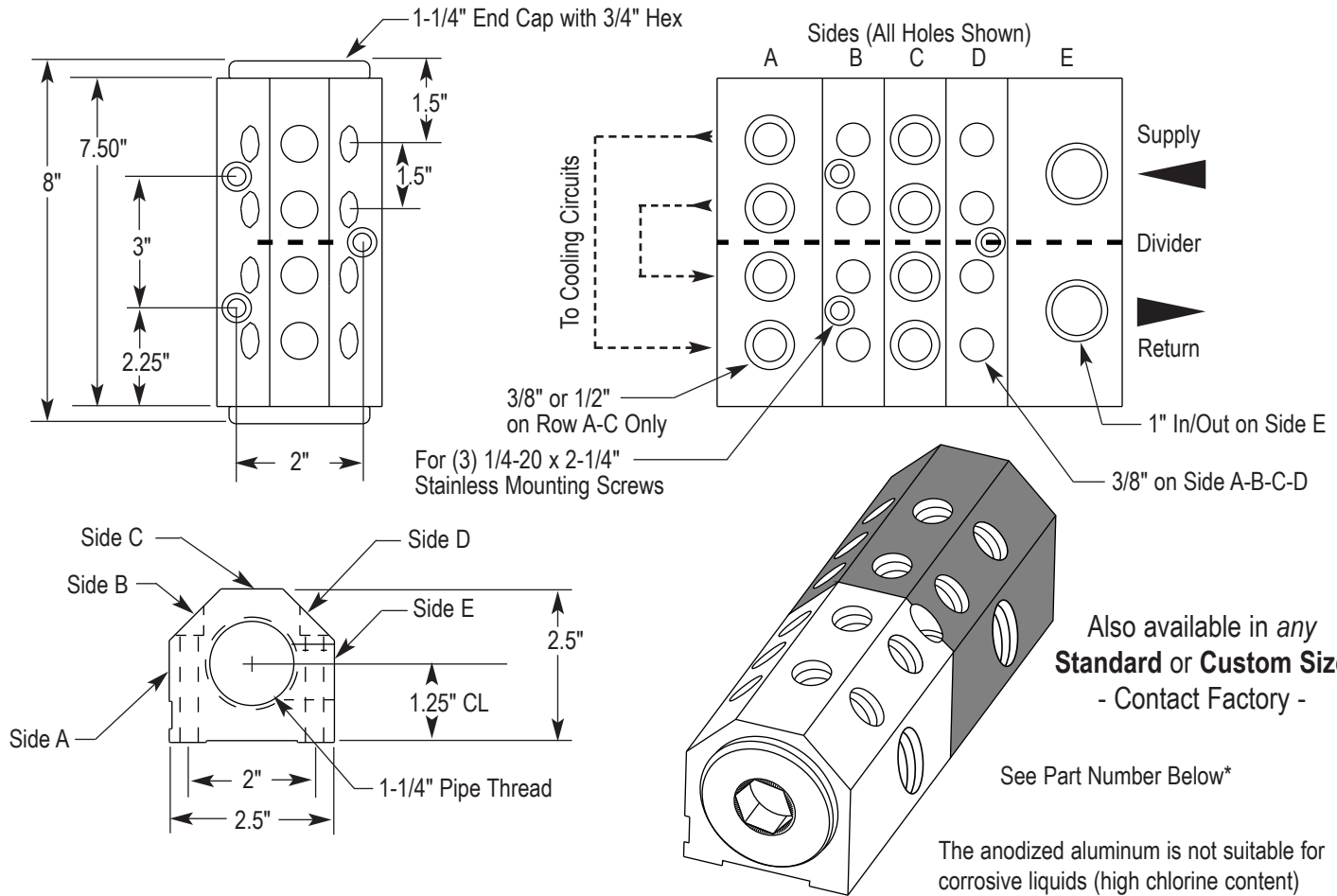
*Part Number Code:

IM4S-7- 1/2 - BCD-6- 6 - 1/4- N -RB



PC-PRICE-25-0129

1-1/4" x 8" Sideline™ Manifold (1 = 1/4")

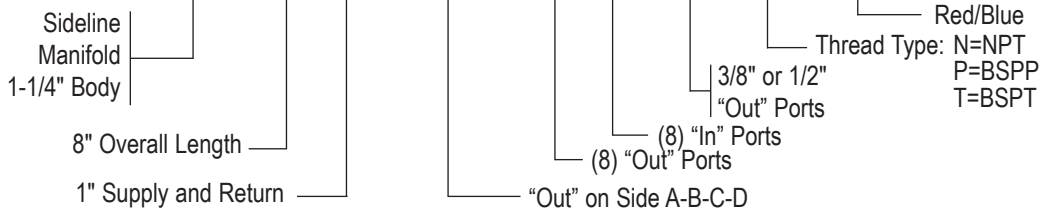


Outgoing Ports					Part Number	Price
Side A In/Out	Side B In/Out	Side C In/Out	Side D In/Out	Side E - Return In/Out		
	(2) (2) 3/8"-3/8"			1"-1"	IM5S-8-1-B-2-2-3/8-N-RB	\$207.00
(2) (2) 3/8"-3/8"	(2) (2) 3/8"-3/8"			1"-1"	IM5S-8-1-AB-4-4-3/8-N-RB	\$223.00
	(2) (2) 3/8"-3/8"		(2) (2) 3/8"-3/8"	1"-1"	IM5S-8-1-BD-4-4-3/8-N-RB	\$223.00
	(2) (2) 3/8"-3/8"	(2) (2) 3/8"-3/8"	(2) (2) 3/8"-3/8"	1"-1"	IM5S-8-1-ABC-6-6-3/8-N-RB	\$239.00
(2) (2) 3/8"-3/8"	(2) (2) 3/8"-3/8"	(2) (2) 3/8"-3/8"	(2) (2) 3/8"-3/8"	1"-1"	*IM5S-8-1-ABCD-8-8-3/8-N-RB	\$255.00
	(2) (2) 1/2"-1/2"			1"-1"	IM5S-8-1-B-2-2-1/2-N-RB	\$207.00
	(2) (2) 1/2"-1/2"		(2) (2) 1/2"-1/2"	1"-1"	IM5S-8-1-BD-4-4-1/2-N-RB	\$223.00

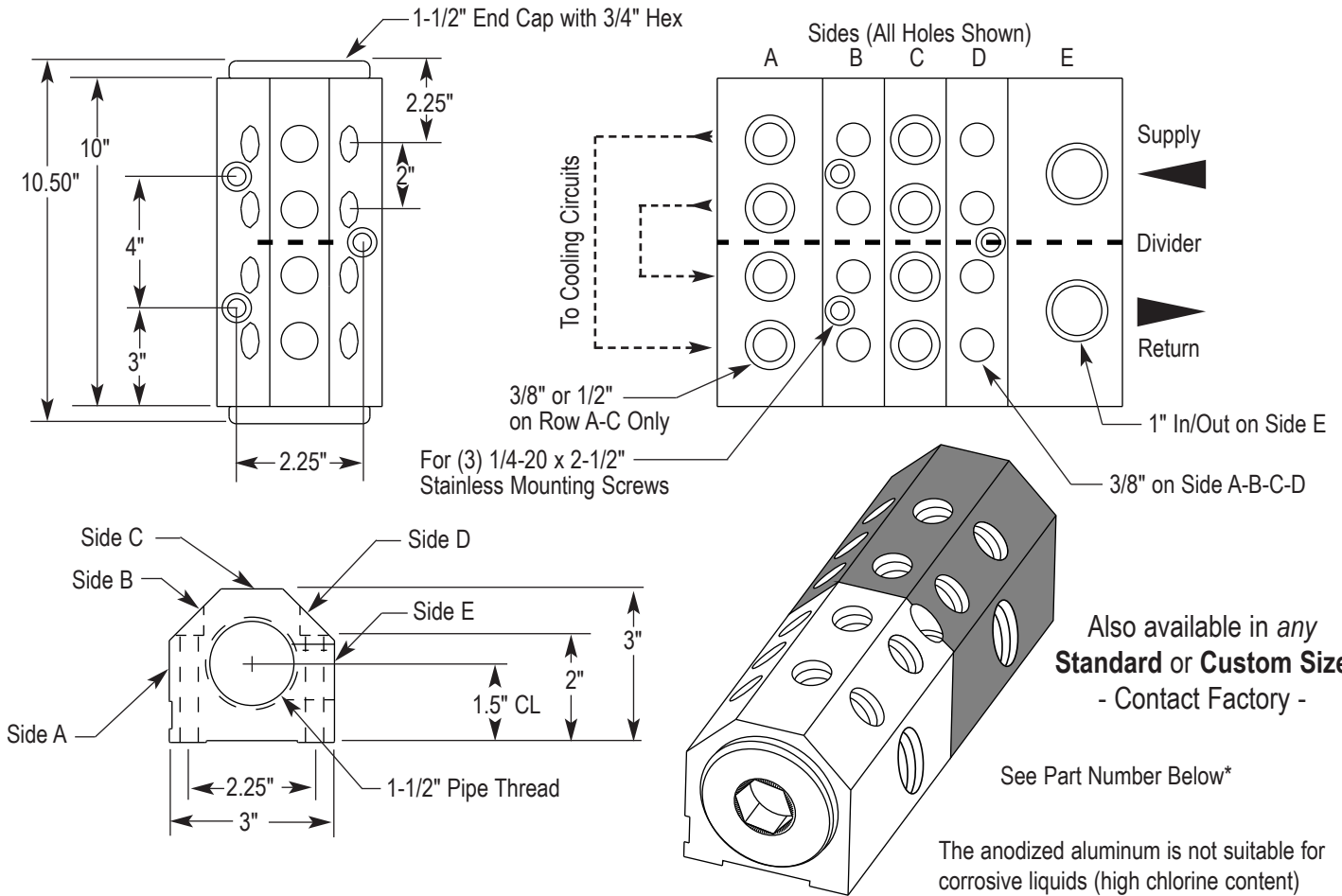
PRICE INCLUDES: End Caps and (3) 1/4-20 x 2-1/4" ST. ST. Mtg. Screws. ADDITIONAL 1-1/4" End Caps \$16.00 ea.

*Part Number Code:

IM5S - 8 - 1 - ABCD - 8 - 8 - 3/8 - N - RB



1-1/2" x 10" Sideline™ Manifold (1 = 1/4")

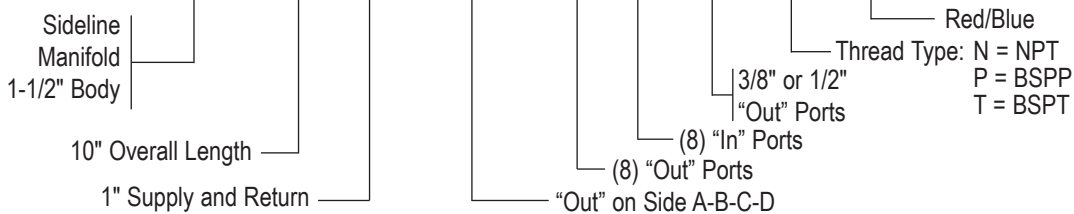


Outgoing Ports					Part Number	Price
Side A In/Out	Side B In/Out	Side C In/Out	Side D In/Out	Side E - Return In/Out		
	(2) (2) 3/8"-3/8"			1"-1"	IM6S-10-1-B-2-2-3/8-N-RB	\$224.00
(2) (2) 3/8"-3/8"	(2) (2) 3/8"-3/8"			1"-1"	IM6S-10-1-AB-4-4-3/8-N-RB	\$244.00
	(2) (2) 3/8"-3/8"		(2) (2) 3/8"-3/8"	1"-1"	IM6S-10-1-BD-4-4-3/8-N-RB	\$244.00
	(2) (2) 3/8"-3/8"	(2) (2) 3/8"-3/8"	(2) (2) 3/8"-3/8"	1"-1"	IM6S-10-1-ABC-6-6-3/8-N-RB	\$264.00
(2) (2) 3/8"-3/8"	(2) (2) 3/8"-3/8"	(2) (2) 3/8"-3/8"	(2) (2) 3/8"-3/8"	1"-1"	*IM6S-10-1-ABCD-8-8-3/8-N-RB	\$284.00
	(2) (2) 1/2"-1/2"			1"-1"	IM6S-10-1-B-2-2-1/2-N-RB	\$224.00
	(2) (2) 1/2"-1/2"		(2) (2) 1/2"-1/2"	1"-1"	IM6S-10-1-BD-4-4-1/2-N-RB	\$244.00

PRICE INCLUDES: End Caps and (3) 1/4-20 x 2-1/2" ST. ST. Mtg. Screws. ADDITIONAL 1-1/2" End Caps \$18.00 ea.

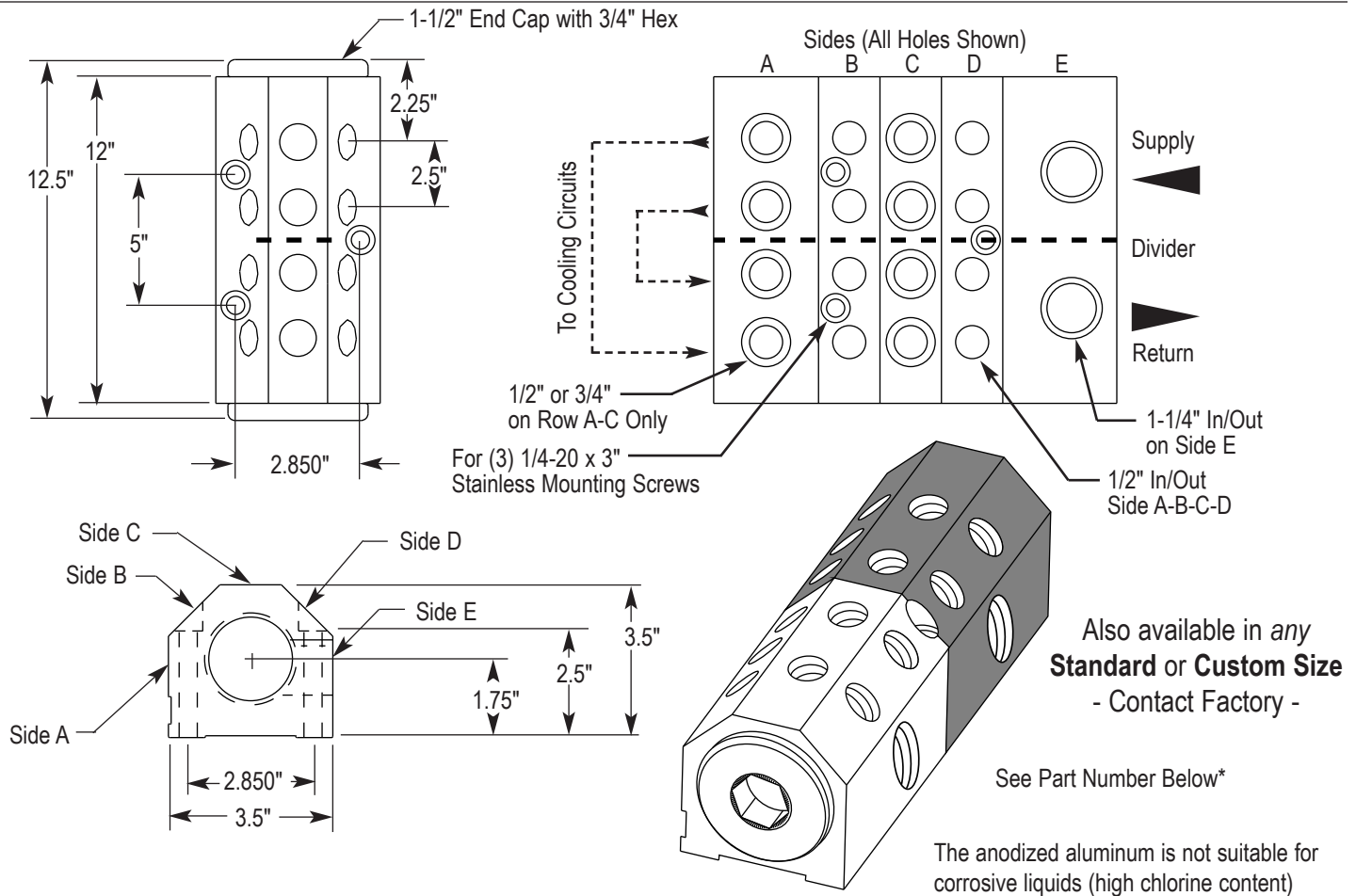
*Part Number Code:

IM6S - 10 - 1 - ABCD - 8 - 8 - 3/8 - N - RB



PC-PRICE-25-0129

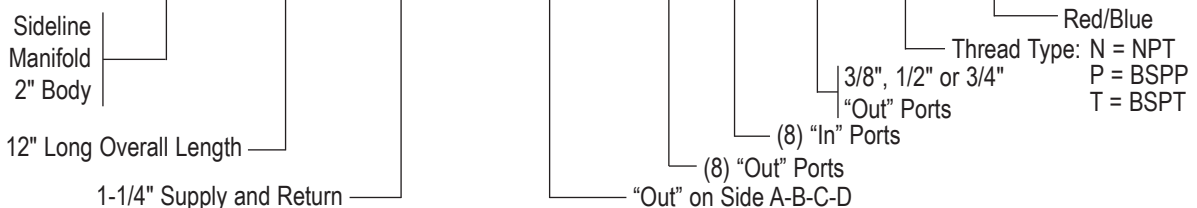
2" x 12" Sideline™ Manifold (1 = 1/4")



Outgoing Ports					Part Number	Price
Side A In/Out	Side B In/Out	Side C In/Out	Side D In/Out	Side E - Return In/Out		
	(2) (2) 1/2"-1/2"			1-1/4"-1-1/4"	IM8S-12-1-1/4-B-2-2-1/2-N-RB	\$287.00
(2) (2) 1/2"-1/2"	(2) (2) 1/2"-1/2"			1-1/4"-1-1/4"	IM8S-12-1-1/4-AB-4-4-1/2-N-RB	\$311.00
	(2) (2) 1/2"-1/2"		(2) (2) 1/2"-1/2"	1-1/4"-1-1/4"	IM8S-12-1-1/4-BD-4-4-1/2-N-RB	\$311.00
	(2) (2) 1/2"-1/2"	(2) (2) 1/2"-1/2"	(2) (2) 1/2"-1/2"	1-1/4"-1-1/4"	IM8S-12-1-1/4-BCD-6-6-1/2-N-RB	\$335.00
(2) (2) 1/2"-1/2"	(2) (2) 1/2"-1/2"	(2) (2) 1/2"-1/2"	(2) (2) 1/2"-1/2"	1-1/4"-1-1/4"	*IM8S-12-1-1/4-ABCD-8-8-1/2-N-RB	\$359.00
	(2) (2) 3/4"-3/4"			1-1/4"-1-1/4"	IM8S-12-1-1/4-B-2-2-3/4-N-RB	\$287.00
	(2) (2) 3/4"-3/4"		(2) (2) 3/4"-3/4"	1-1/4"-1-1/4"	IM8S-12-1-1/4-BD-4-4-3/4-N-RB	\$311.00

PRICE INCLUDES: End Caps and 1/4 - 20 x 3" ST. ST. Mtg. Screws. ADDITIONAL 2" End Caps \$20.00 ea.

*Part Number Code: **IM8S - 12 - 1-1/4 - ABCD - 8 - 8 - 3/8 - N - RB**

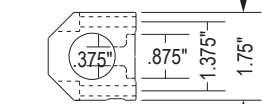


BottomLine™ Custom Mold Mounted Manifold

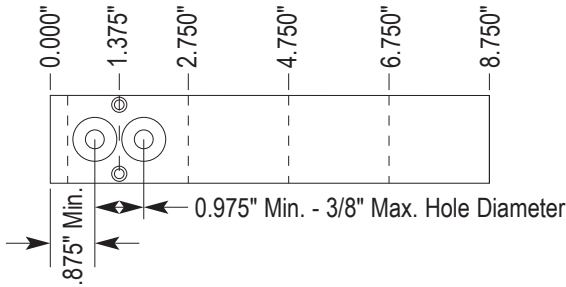
Submit your requirements for pricing and delivery
CITO PRODUCTS INC.
 ATTENTION: SALES DEPARTMENT

CITO will submit drawing and assign part number to your models

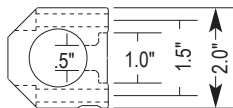
3/4" IB3



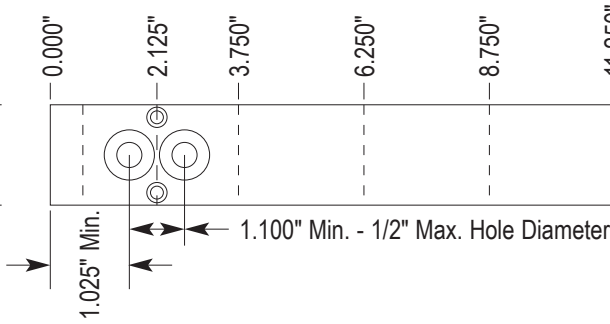
3/8" Hole Diameter
 # 310 "O" Ring
 ORDER # IB3-XXXX-XX



1" IB4



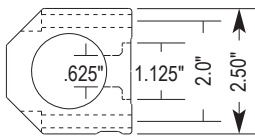
1/2" Hole Diameter
 # 312 "O" Ring
 ORDER # IB4-XXXX-XX



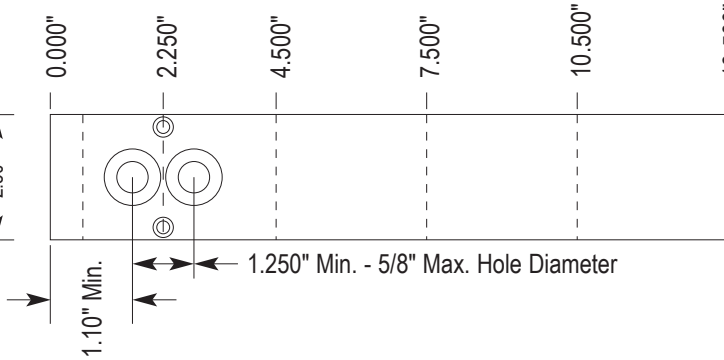
IB4-02NB-01

InLine	Zones	Serial
	3 = 3/4"	R - Red
	4 = 1"	B - Blue
	5 = 1-1/4"	
	6 = 1-1/2"	
	8 = 2"	
Bottomline	N = National Pipe Taper (USA) P = Parallel Pipe T = Tapered Pipe	

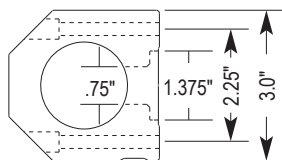
1-1/4" IB5



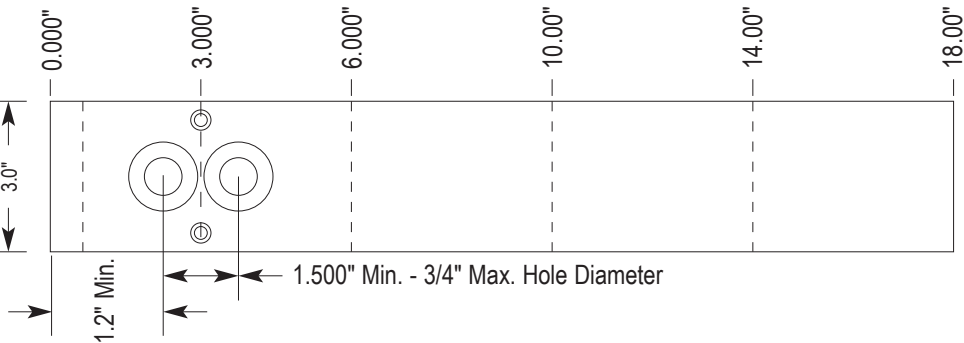
5/8" Hole Diameter
 # 314 "O" Ring
 ORDER # IB5-XXXX-XX



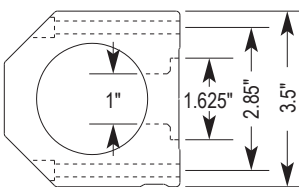
1-1/2" IB6



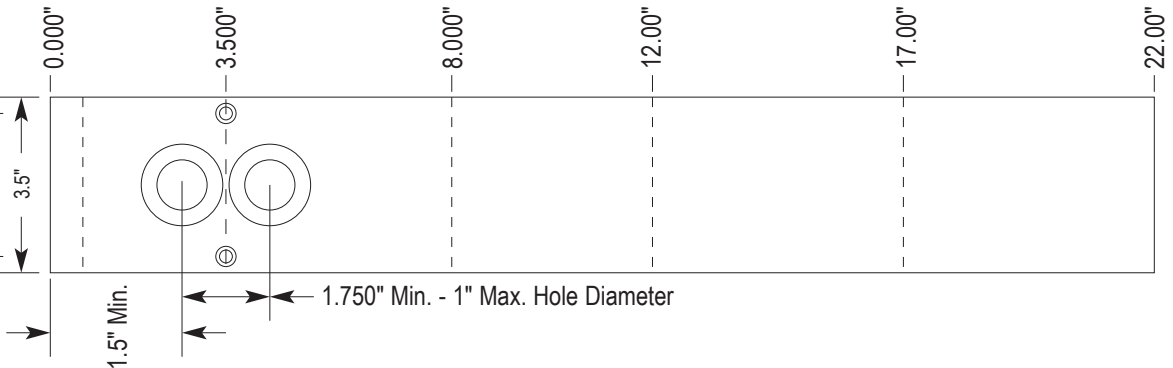
3/4" Hole Diameter
 # 318 "O" Ring
 ORDER # IB6-XXXX-XX



2" IB8

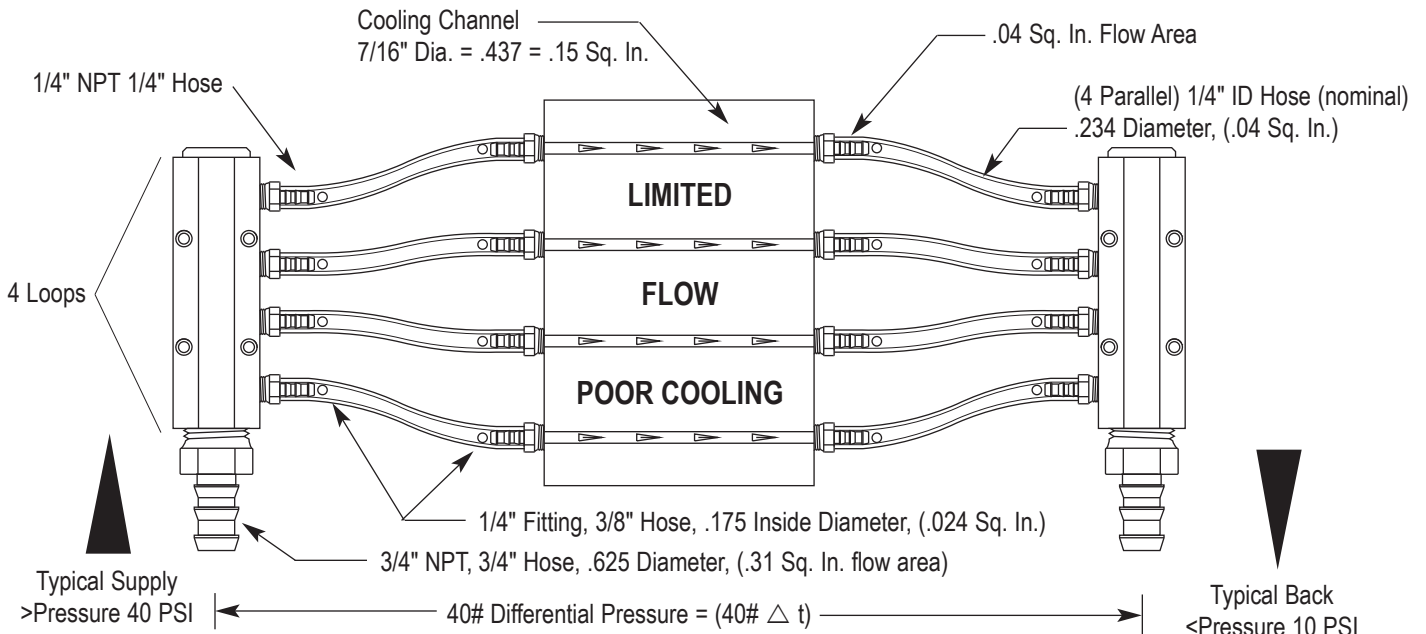


1" Hole Diameter
 # 322 "O" Ring
 ORDER # IB8-XXXX-XX



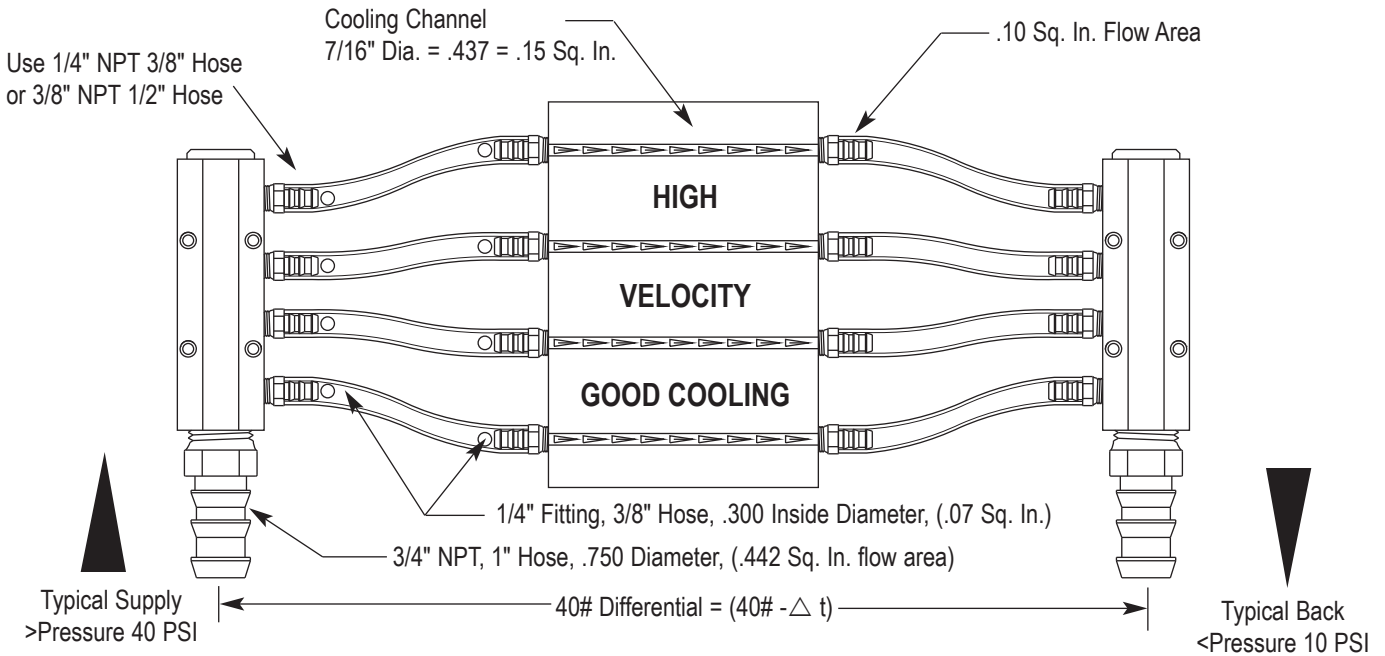
PC-PRICE-24-0717

Flow Restrictions



Supply line must be larger than total of all cooling circuits
(As shown: Supply .31 Sq. In.,
Loop Fittings 4 x .024 Sq. In. = .096 Sq. In.)

HIGH PERFORMANCE COOLING USE OF FULL FLOW FITTINGS

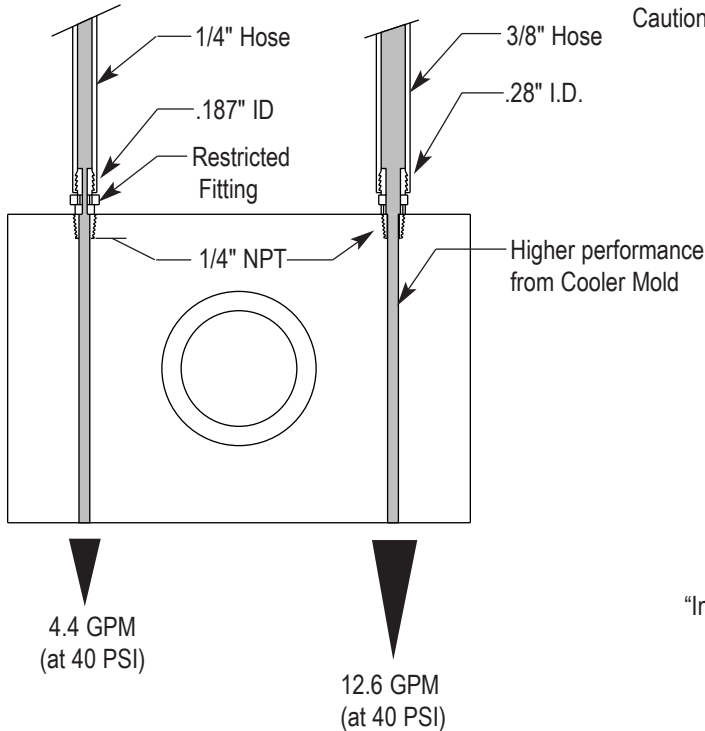


Supply line must be larger than total of all cooling circuits
(As shown: Supply .442 Sq. In.,
Fittings 4 x .07Sq. In. = .28 Sq. In.)

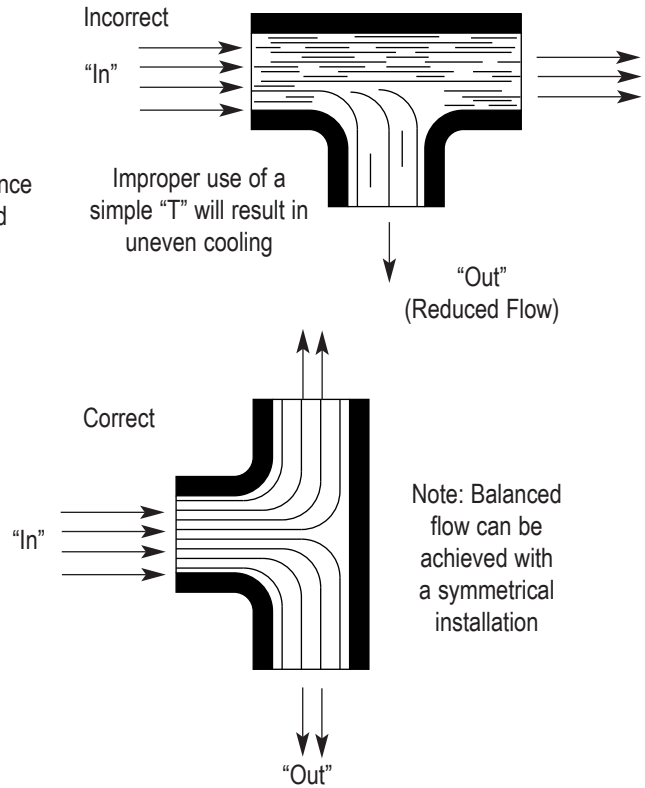
PC-PRICE-24-0717

Flow Considerations

Flow Restriction (or Unbalanced) Hook Ups Will Increase Cycle Time



Caution: Unbalanced flow will result from change in flow direction.



200% More Flow Area with High Flow Fittings

A mold will always be limited by its least cooled cavity. Coolant supply area should always be more than total mold ports area to avoid starving the mold of pressure and flow. Pressure difference across the mold should be no less than 40 P.S.I. Avoid kinked hoses and any other restrictions.

Hose I.O.	Fitting Orifice Size	Area Square Inch	Supply area should exceed total of outlets (area square inch)						
			2 Ports	4 Ports	6 Ports	8 Ports	10 Ports	12 Ports	16 Ports
1/4"	.19"	.03	.06"	.12	.18	.24	.30	.36	.48
3/8"	.28"	.06	.12"	.24	.36	.48	.60	.72	.96
1/2"	.40"	.12	.24"	.48	.72	.96	1.20	1.44	1.92
3/4"	.56"	.25	.50"	1.0	1.50	2.00	2.50	3.00	4.00
1"	.87"	.59							
1-1/4"	1.0"	.78							
1-1/2"	1.25"	1.23							
2"	1.88"	2.7							

Example:
Supply 1" .59 sq. inch
3/8" waterlines = .06 square inches
.56 divided by .06 = up to 9 waterlines

Note: supply .48 sq. in. exceeds total hold cooling channel area

A typical mold with 8 (3/8) cooling circuits can be supplied with a 1" manifold.

PC-PRICE-24-0717