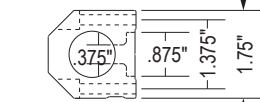


# BottomLine™ Custom Mold Mounted Manifold

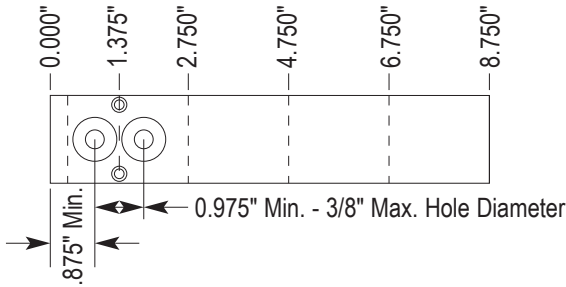
Submit your requirements for pricing and delivery  
**CITO PRODUCTS INC.**  
 ATTENTION: SALES DEPARTMENT

CITO will submit drawing and assign part number to your models

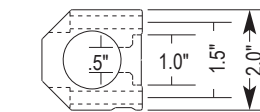
## 3/4" IB3



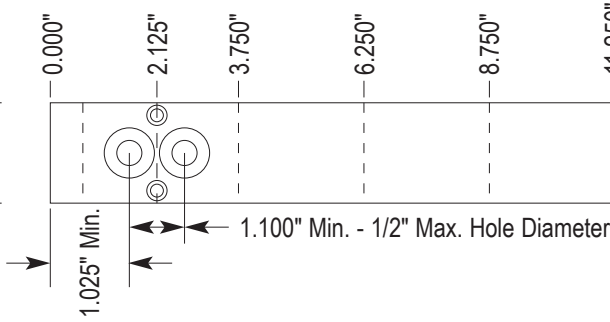
3/8" Hole Diameter  
 # 310 "O" Ring  
 ORDER # IB3-XXXX-XX



## 1" IB4



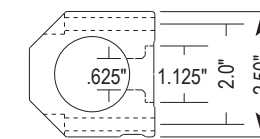
1/2" Hole Diameter  
 # 312 "O" Ring  
 ORDER # IB4-XXXX-XX



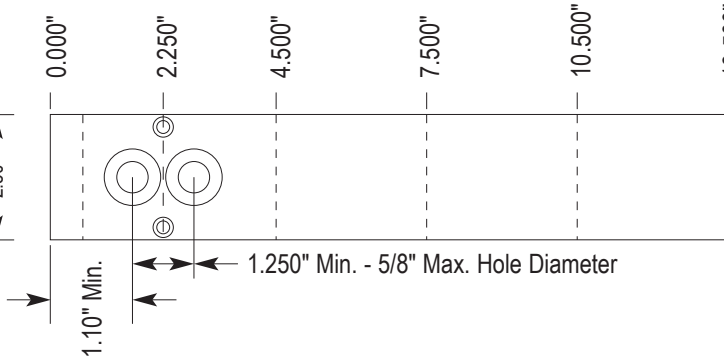
## IB4-02NB-01

|            |  |          |
|------------|--|----------|
| InLine     | Zones  | Serial   |
|            | 3 = 3/4"   | R - Red  |
|            | 4 = 1"   | B - Blue |
|            | 5 = 1-1/4"   |          |
|            | 6 = 1-1/2"   |          |
|            | 8 = 2"   |          |
| Bottomline | N = National Pipe Taper (USA)<br>P = Parallel Pipe<br>T = Tapered Pipe |          |

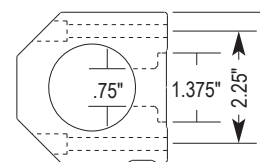
## 1-1/4" IB5



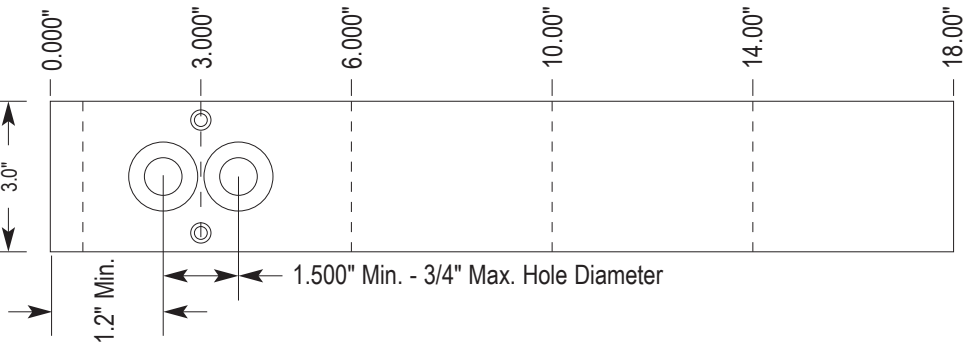
5/8" Hole Diameter  
 # 314 "O" Ring  
 ORDER # IB5-XXXX-XX



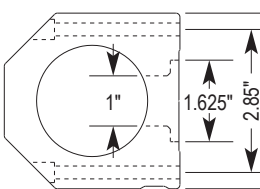
## 1-1/2" IB6



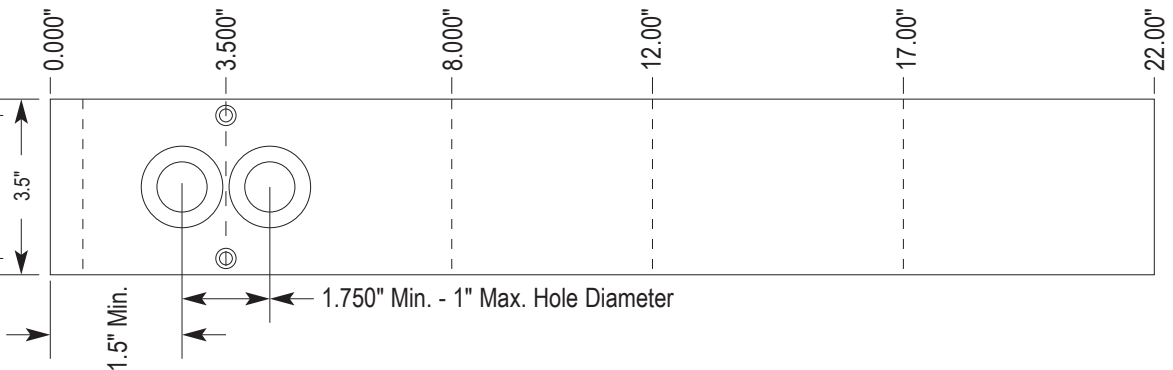
3/4" Hole Diameter  
 # 318 "O" Ring  
 ORDER # IB6-XXXX-XX



## 2" IB8



1" Hole Diameter  
 # 322 "O" Ring  
 ORDER # IB8-XXXX-XX



CITO-FP-PRICE-23-1120