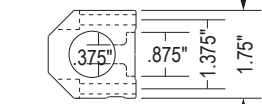


BottomLine™ Custom Mold Mounted Manifold

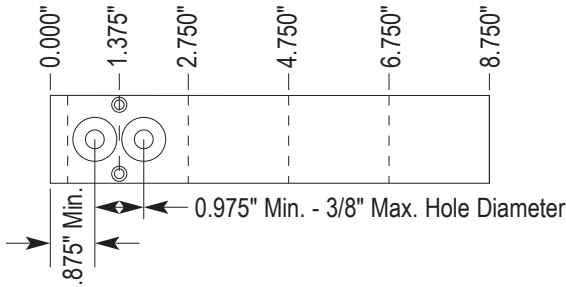
Submit your requirements for pricing and delivery
CITO PRODUCTS INC.
 ATTENTION: SALES DEPARTMENT

CITO will submit drawing and assign part number to your models

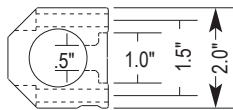
3/4" IB3



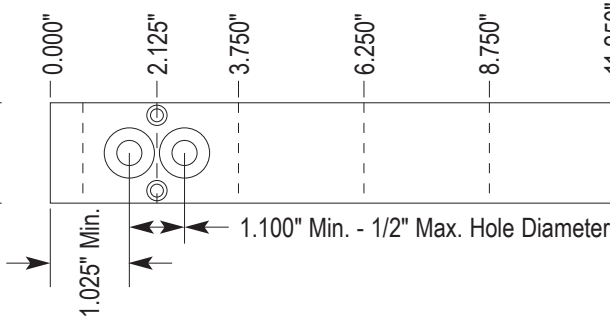
3/8" Hole Diameter
 # 310 "O" Ring
 ORDER # IB3-XXXX-XX



1" IB4



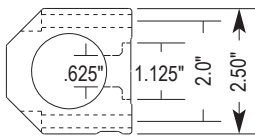
1/2" Hole Diameter
 # 312 "O" Ring
 ORDER # IB4-XXXX-XX



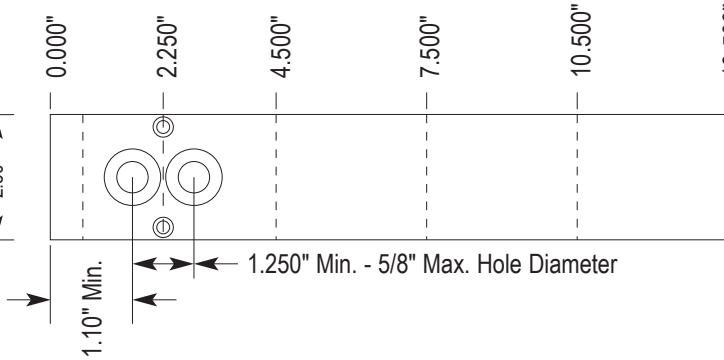
IB4-02NB-01

InLine	Zones	Serial
	3 = 3/4"	R - Red
	4 = 1"	B - Blue
	5 = 1-1/4"	
	6 = 1-1/2"	
	8 = 2"	
Bottomline	N = National Pipe Taper (USA) P = Parallel Pipe T = Tapered Pipe	

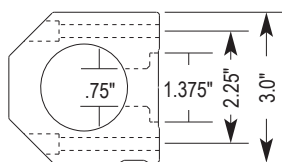
1-1/4" IB5



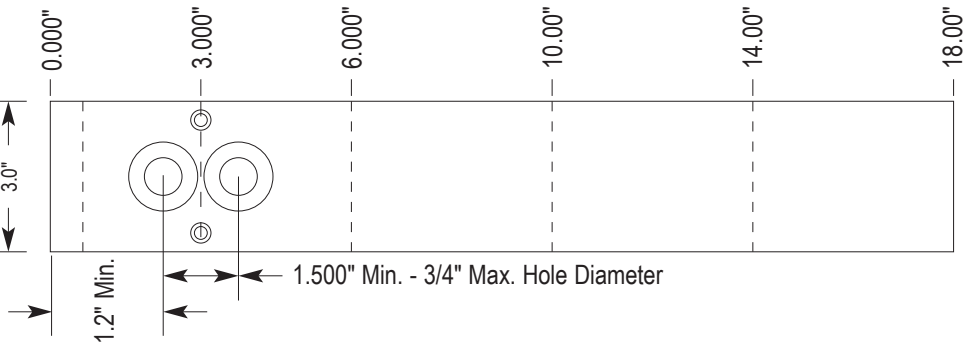
5/8" Hole Diameter
 # 314 "O" Ring
 ORDER # IB5-XXXX-XX



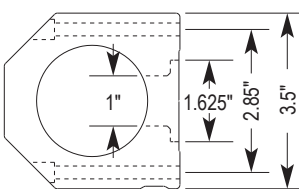
1-1/2" IB6



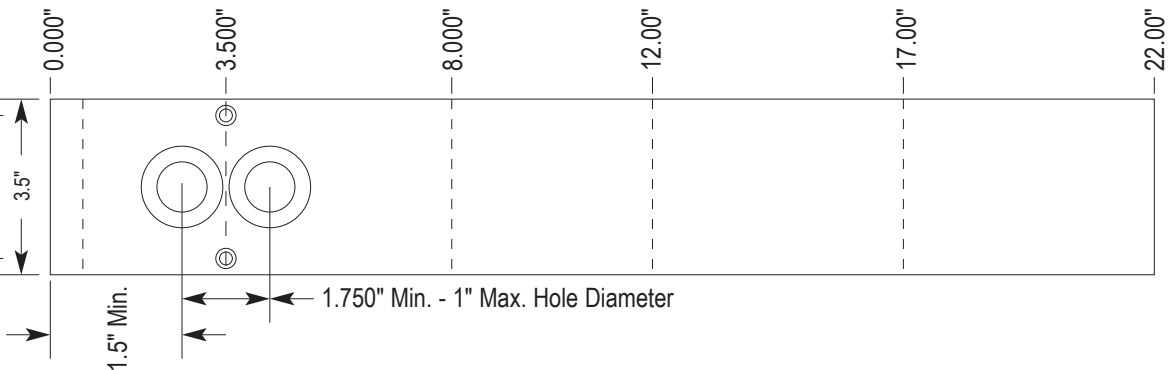
3/4" Hole Diameter
 # 318 "O" Ring
 ORDER # IB6-XXXX-XX



2" IB8



1" Hole Diameter
 # 322 "O" Ring
 ORDER # IB8-XXXX-XX



PC-PRICE-24-0717